



HANSAPOLO

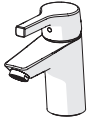
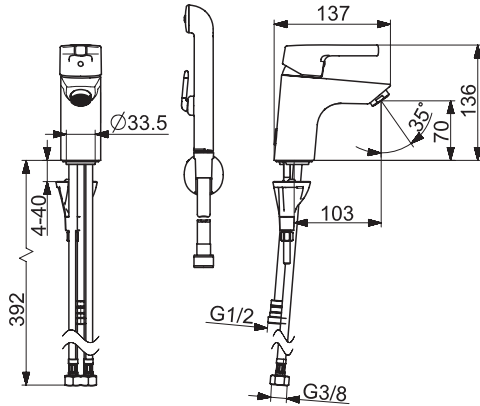
Installation and maintenance guide





5640 2203

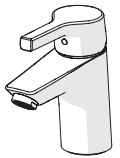
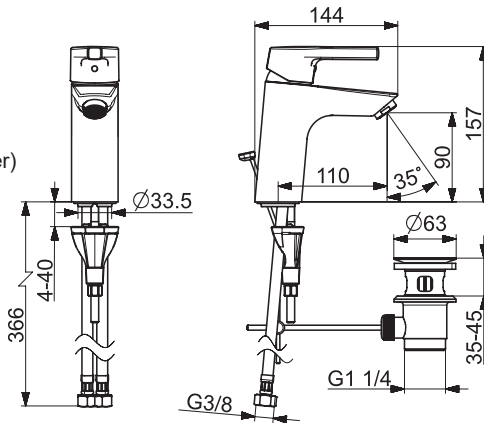
I (ISO3822)
 EN 817, EN 1113
 50 - 1000 kPa
 0.15 l/s (300 kPa)
 0.1 l/s (300 kPa w/Controller)
 max. +70°C



mpi.hansa.com/56402203

5641 2203

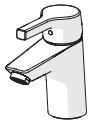
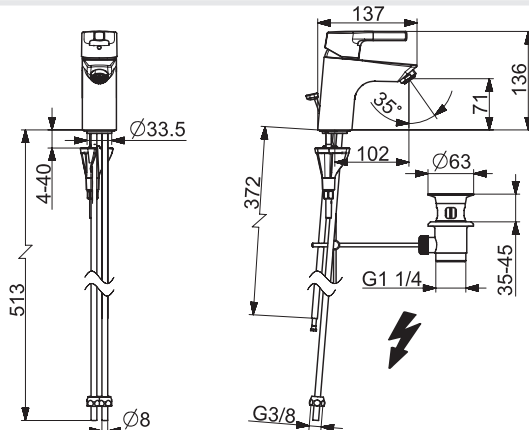
I (ISO3822)
 EN 817
 50 - 1000 kPa
 0.1 l/s (300 kPa w/Controller)
 max. +70°C



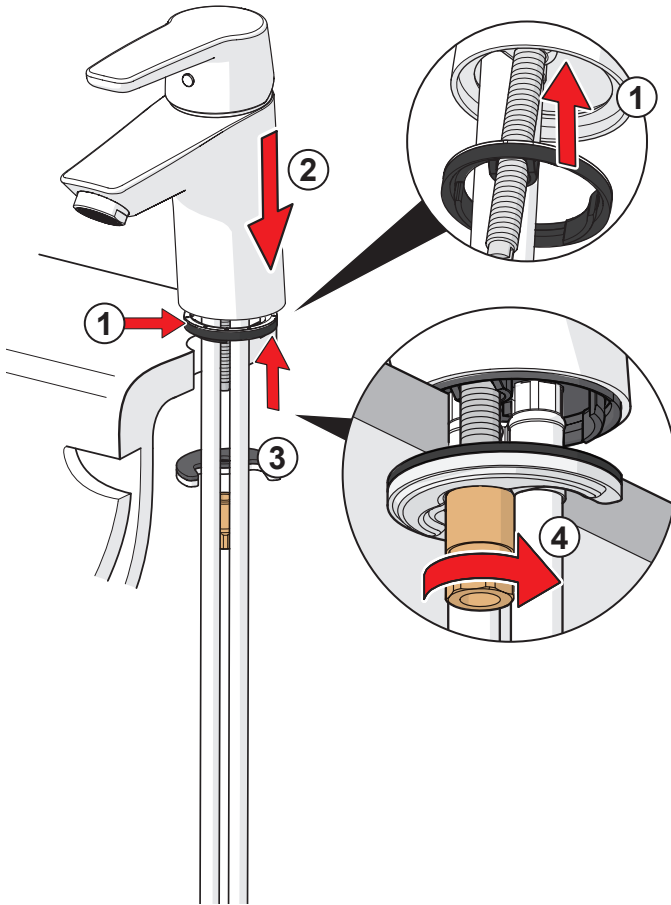
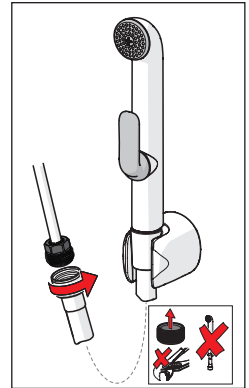
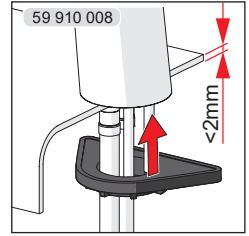
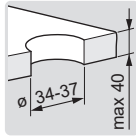
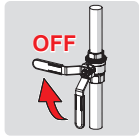
mpi.hansa.com/56412203

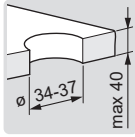
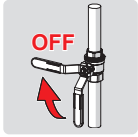
5639 1103

I (ISO3822)
 EN 817
 50 - 500 kPa
 0.1 l/s (300 kPa w/Reducer)
 max. +80°C

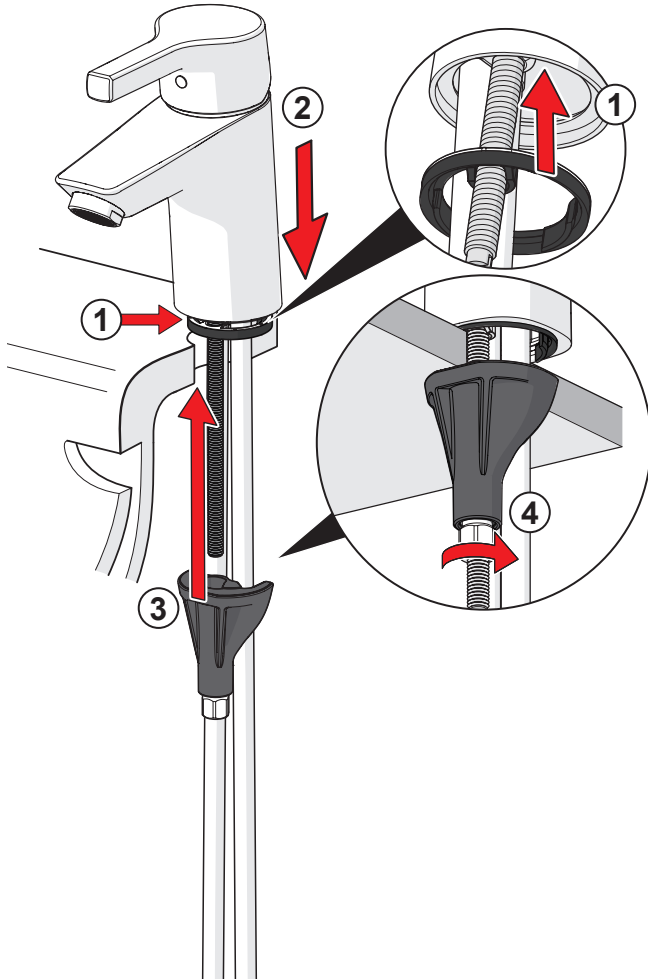
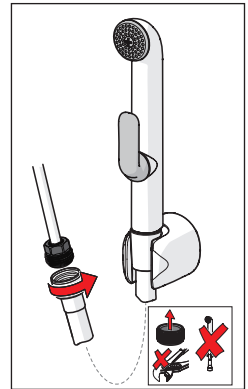
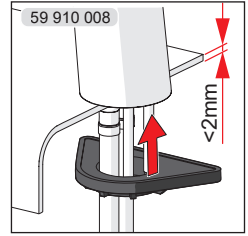


mpi.hansa.com/56391103





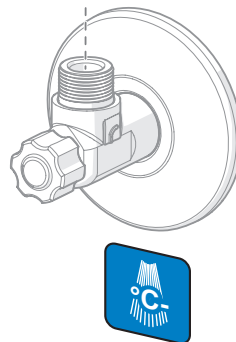
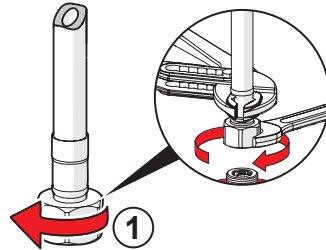
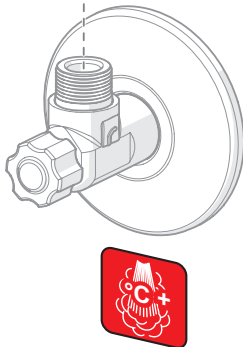
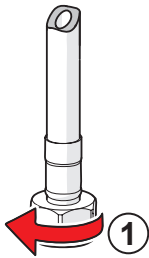
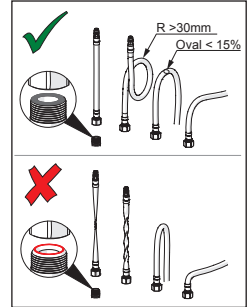
max.
1600 kPa





19

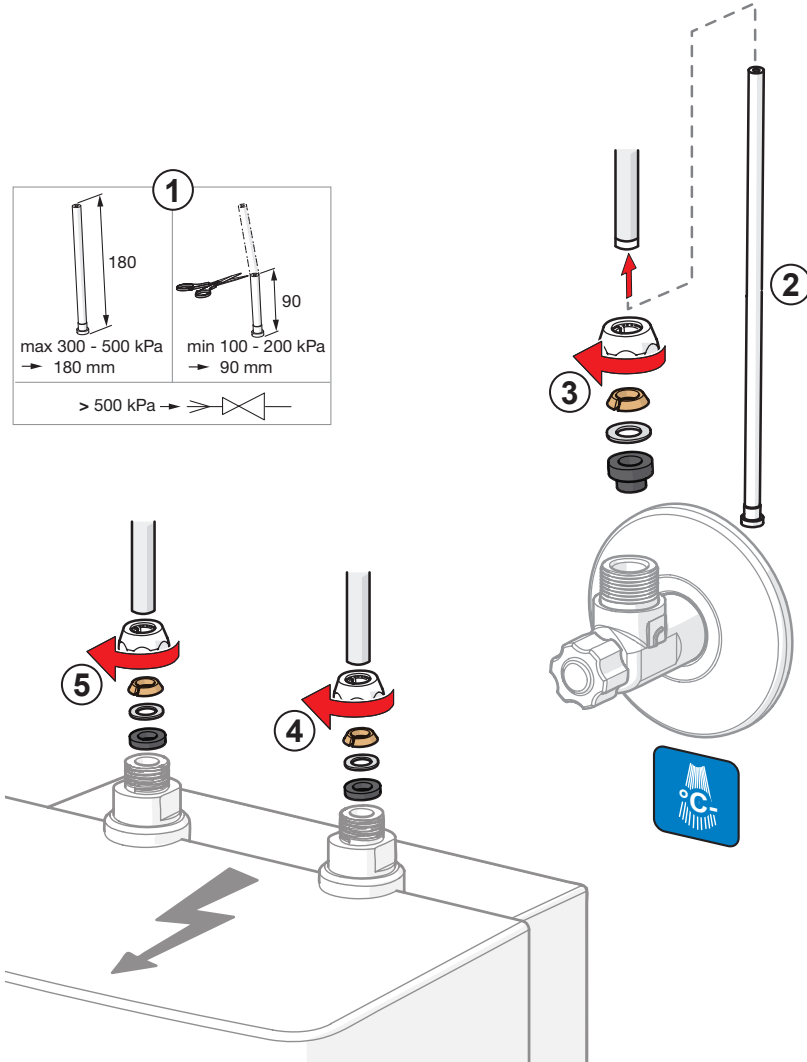
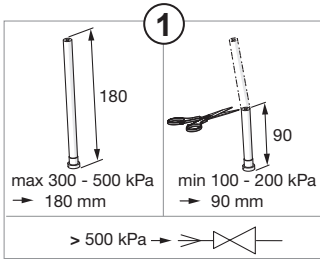
①

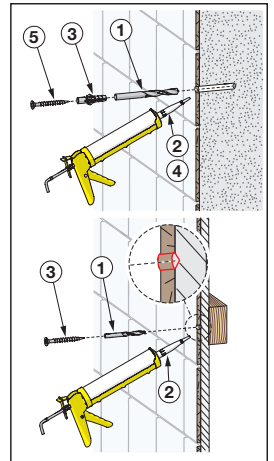
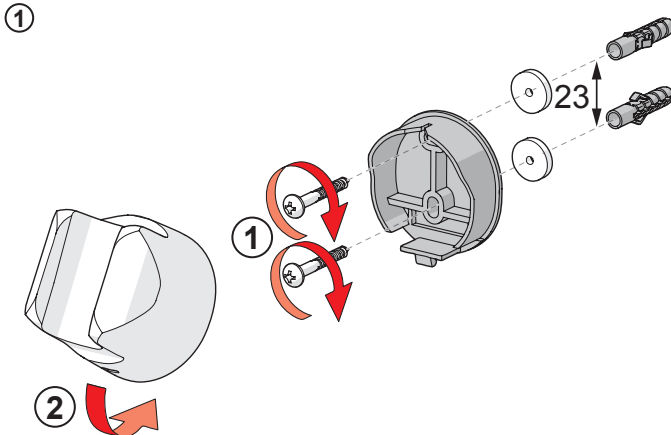
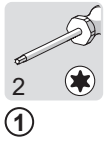
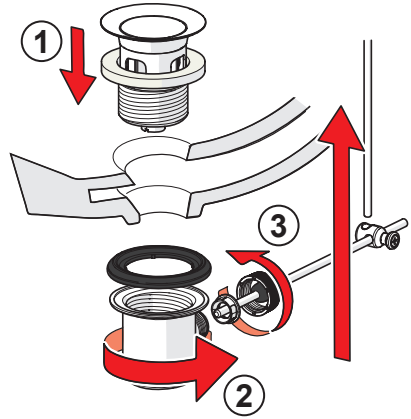
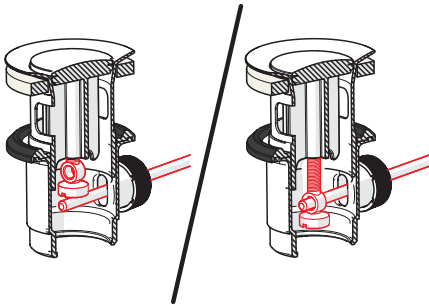
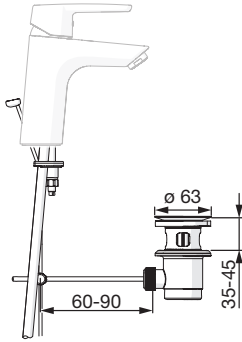


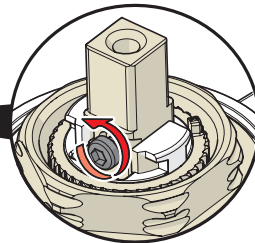
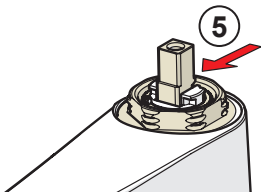
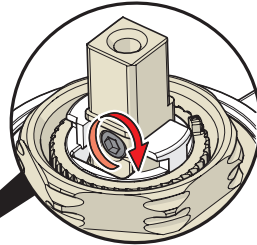
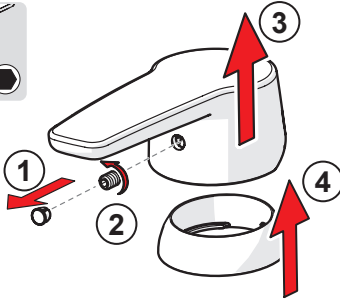
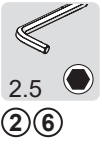
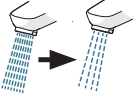
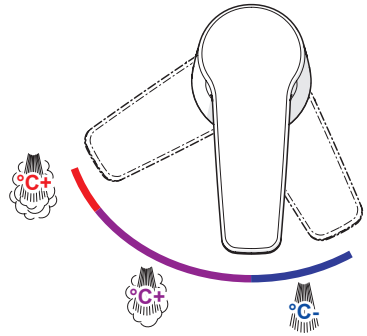
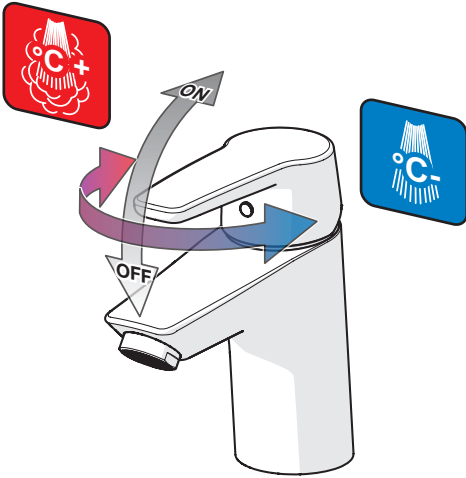


19

③ ④ ⑤



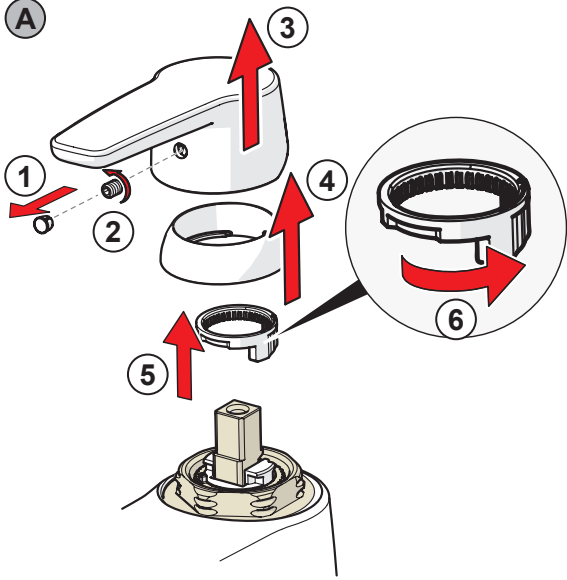






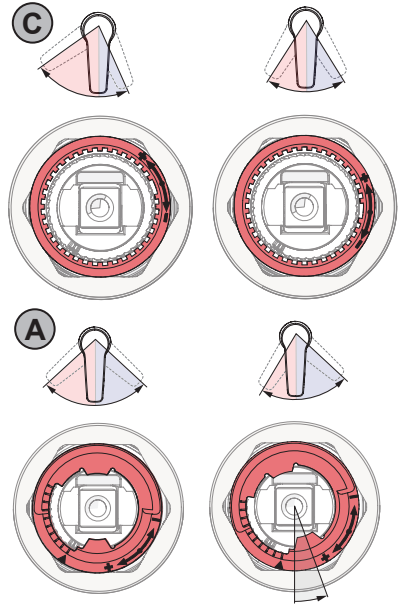
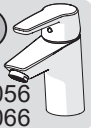
②

Ⓐ

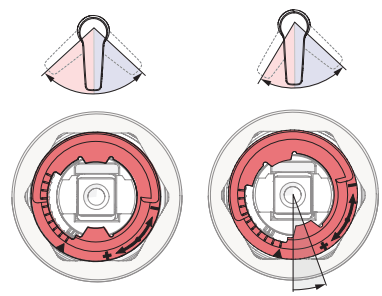
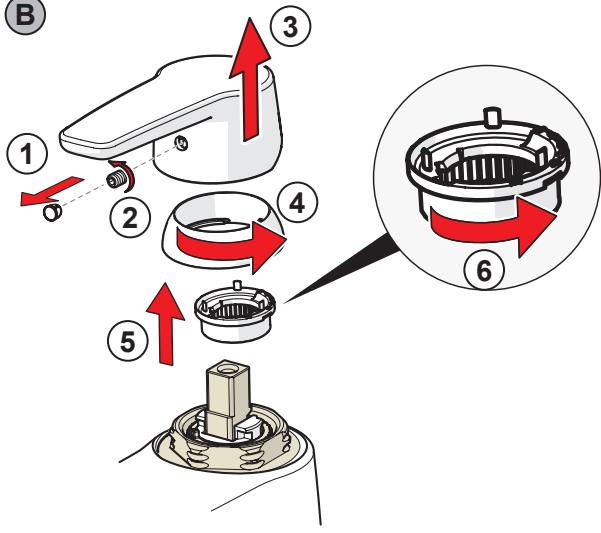


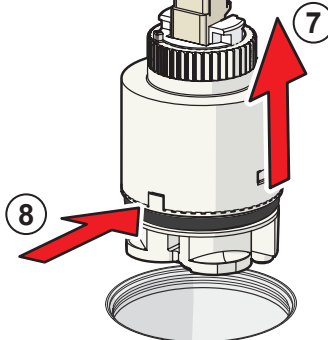
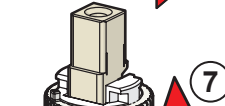
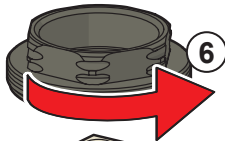
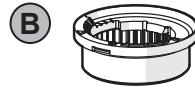
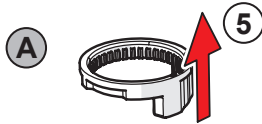
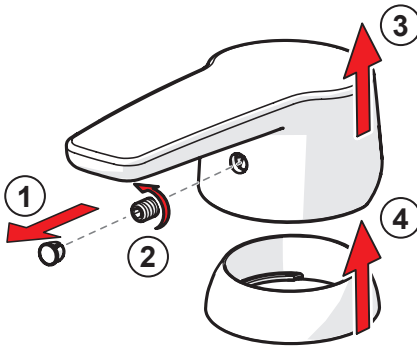
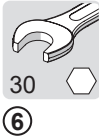
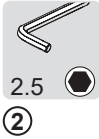
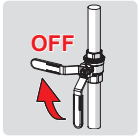
Ⓒ

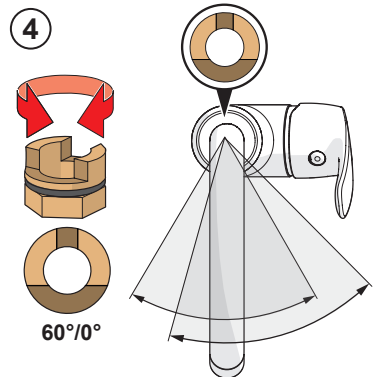
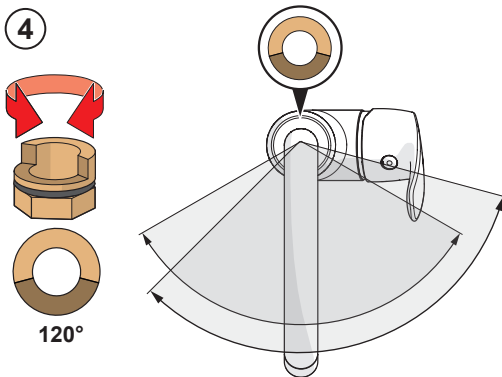
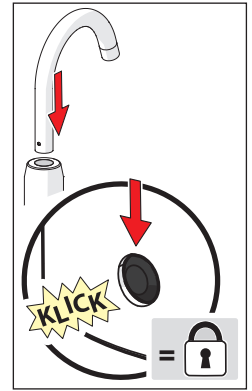
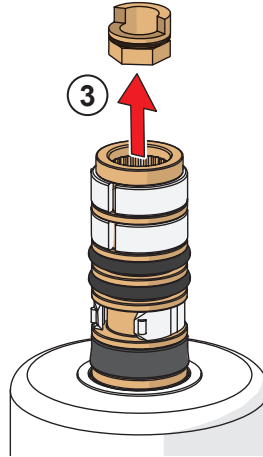
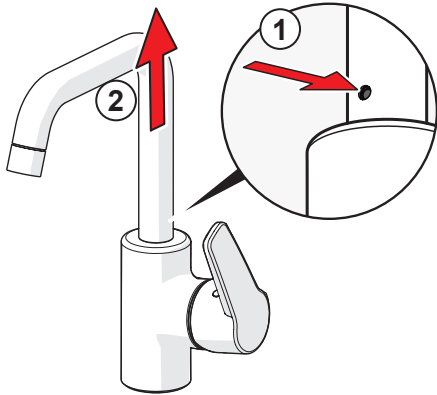
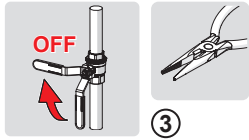
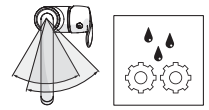
00056
00066



Ⓑ

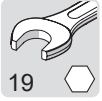




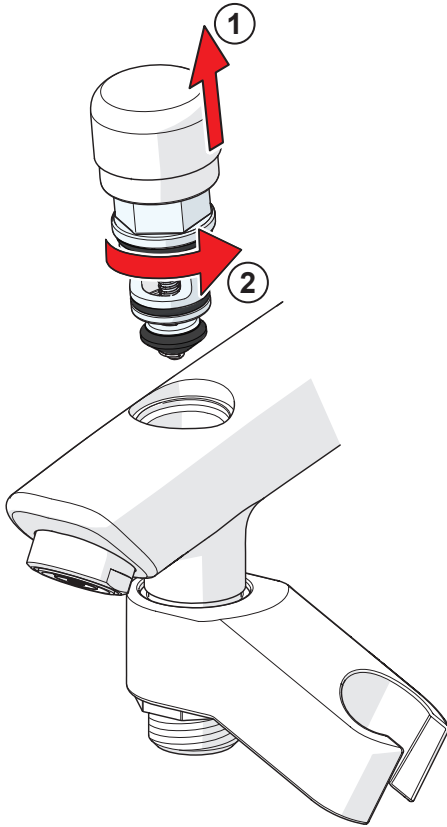


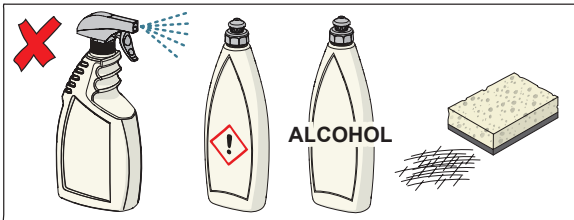
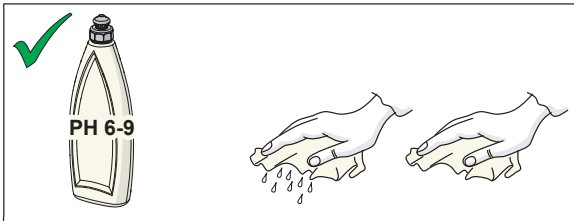
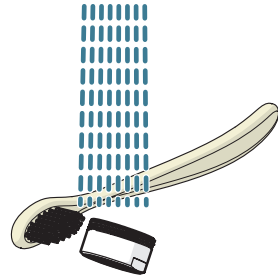
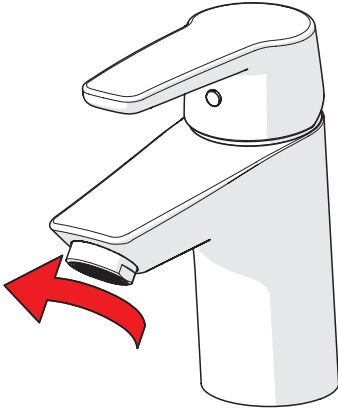
59 914 429

59 914 264



①





CLEANING.HANSA.COM