



HANSAPINTO

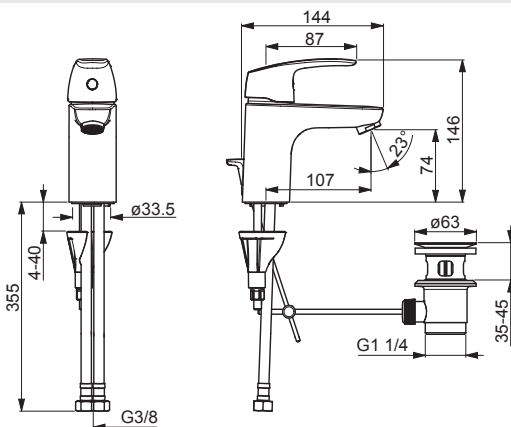
Installation and maintenance guide





4504 2283

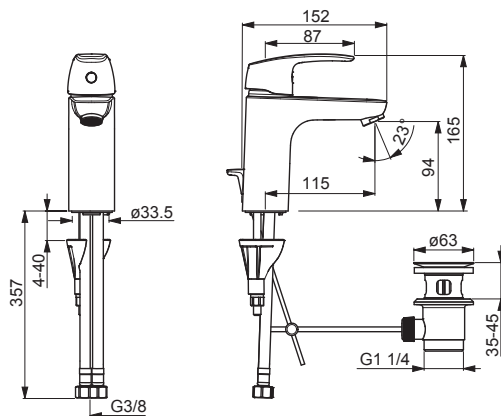
EN 817
50 - 1000 kPa
0.10 l/s (300 kPa w/Controller)
max. +80°C



mpi.hansa.com/45042283

4501 2283

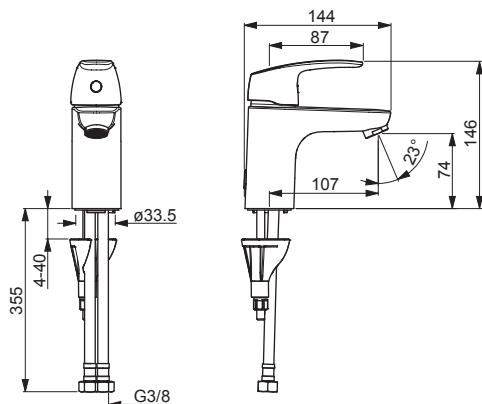
EN 817
50 - 1000 kPa
0.10 l/s (300 kPa w/Controller)
max. +80°C



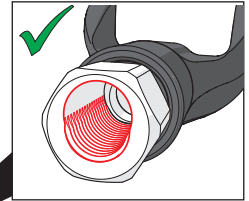
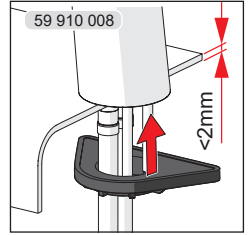
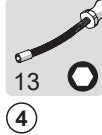
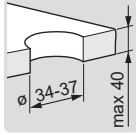
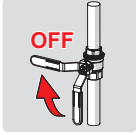
mpi.hansa.com/45012283

4506 2283

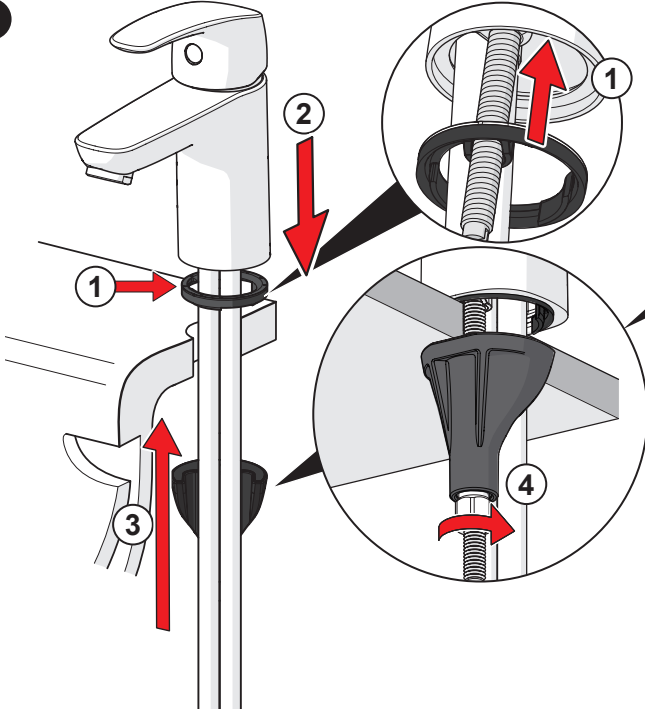
EN 817
50 - 1000 kPa
0.10 l/s (300 kPa w/Controller)
max. +80°C

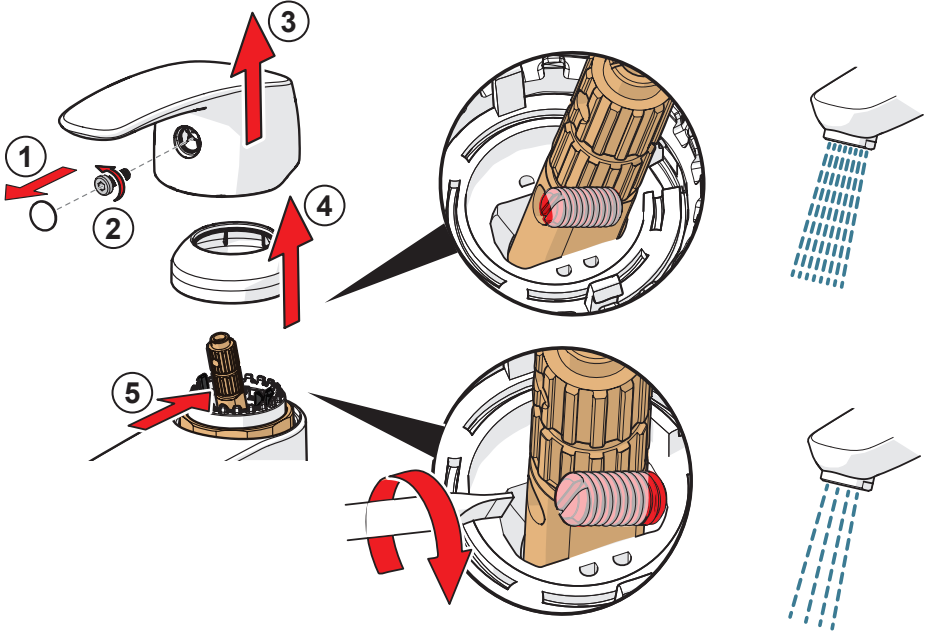
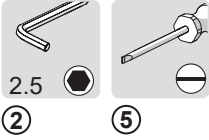


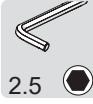
mpi.hansa.com/45062283



1





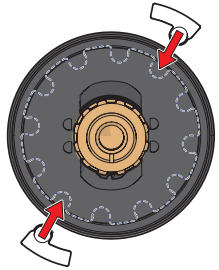
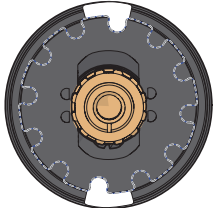
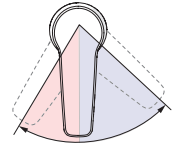
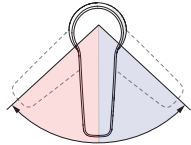
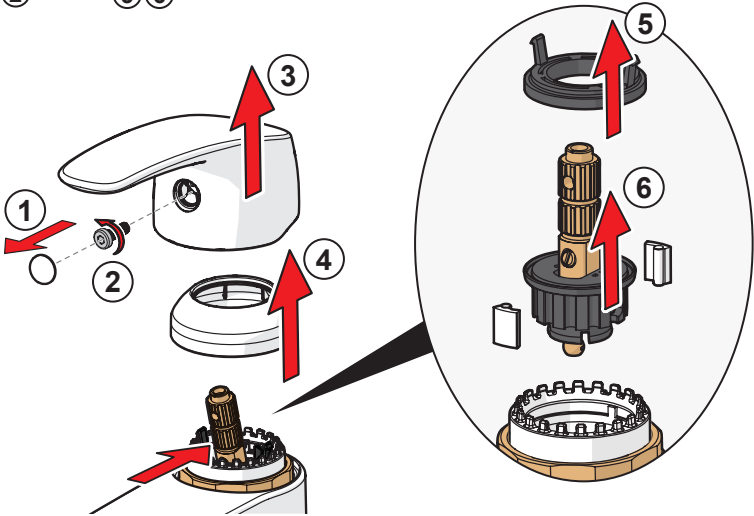


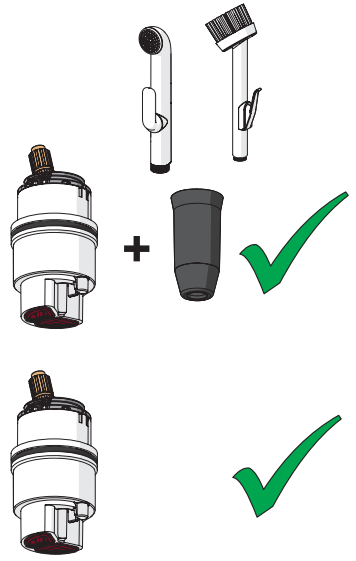
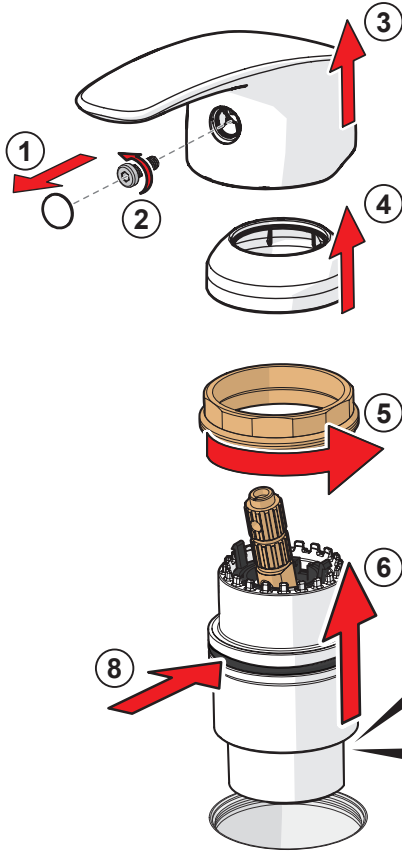
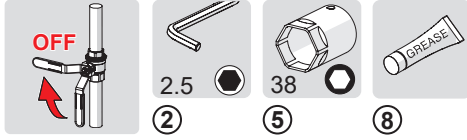
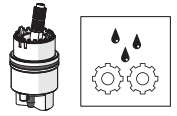
2.5

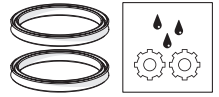
②







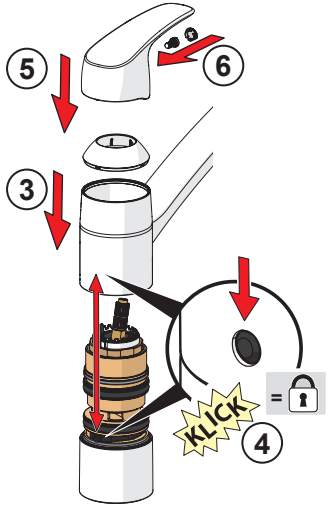
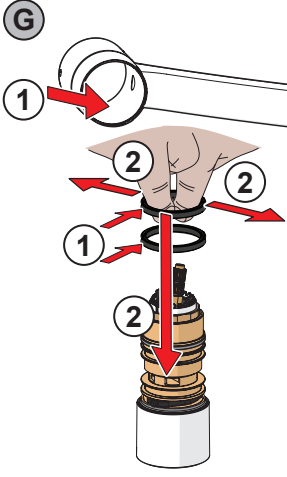
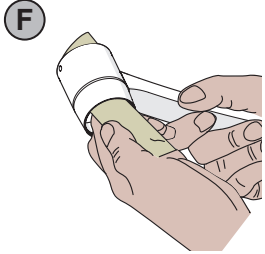
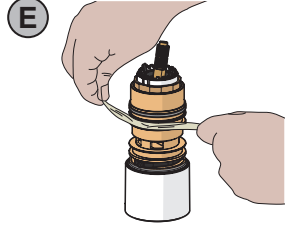
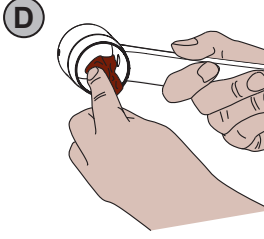
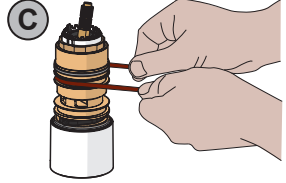
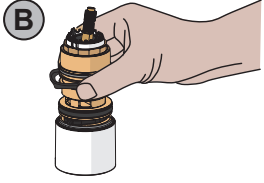
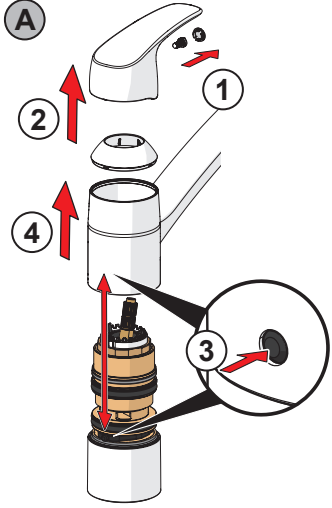
⑤ ⑥

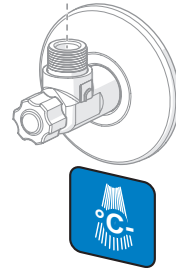
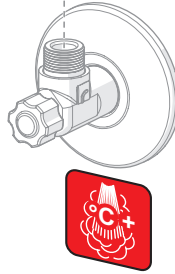
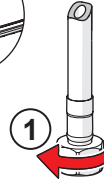
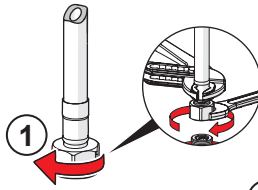
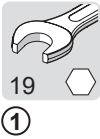
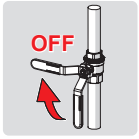


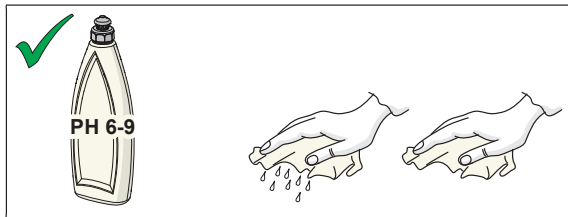
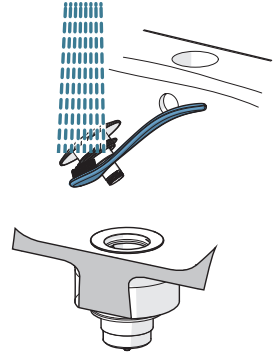
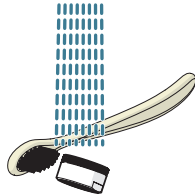
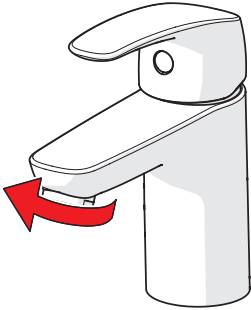
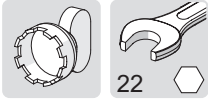




- 
 2.5
A1
- 
 GREASE
G1
- 
G2
- 
 2.5
G6







cleaning.hansa.com