



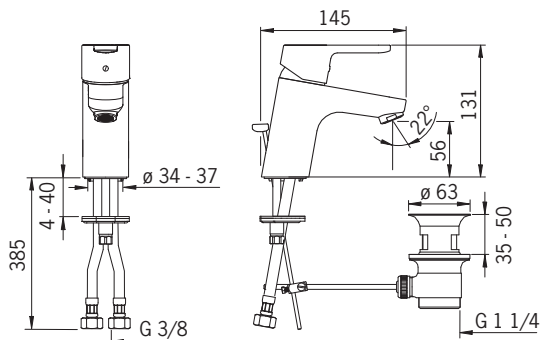
HANSAPRIMO

Installation and maintenance guide



4940 2203

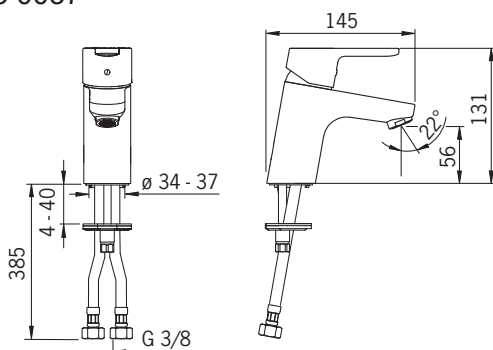
I (ISO 3822)
EN 817
50 - 1000 kPa
0.10 l/s (300 kPa w/Controller)
max. +70°C



mpi.hansa.com/49402203

4942 2203 , 4942 2203 0037

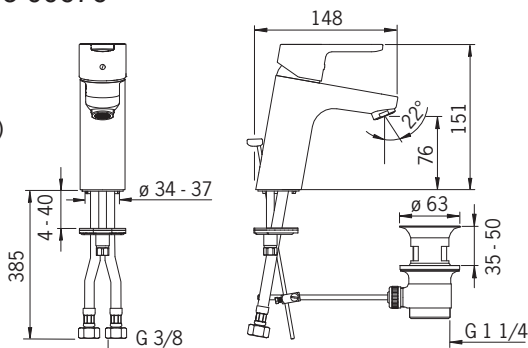
I (ISO 3822)
EN 817
100 - 1000 kPa
0.10 l/s (300 kPa w/Controller)
200 kPa (0.1 l/s)
max. +70°C



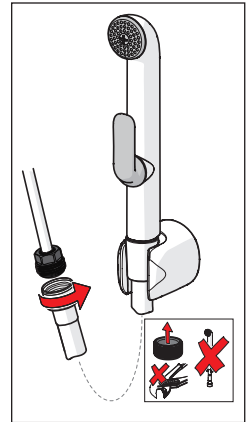
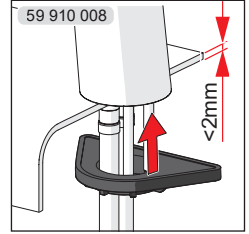
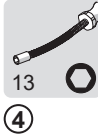
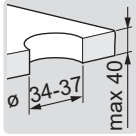
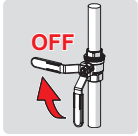
mpi.hansa.com/49422203

4956 2203 , 4956 2203 00676

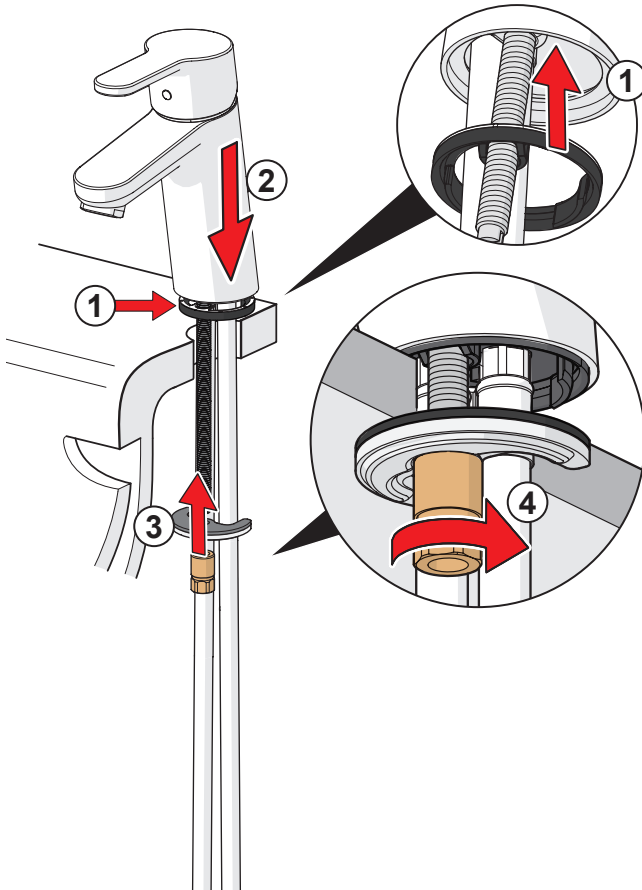
I (ISO 3822)
EN 817
50 - 1000 kPa
0.10 l/s (300 kPa w/Controller)
max. +70°C



mpi.hansa.com/49562203

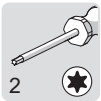
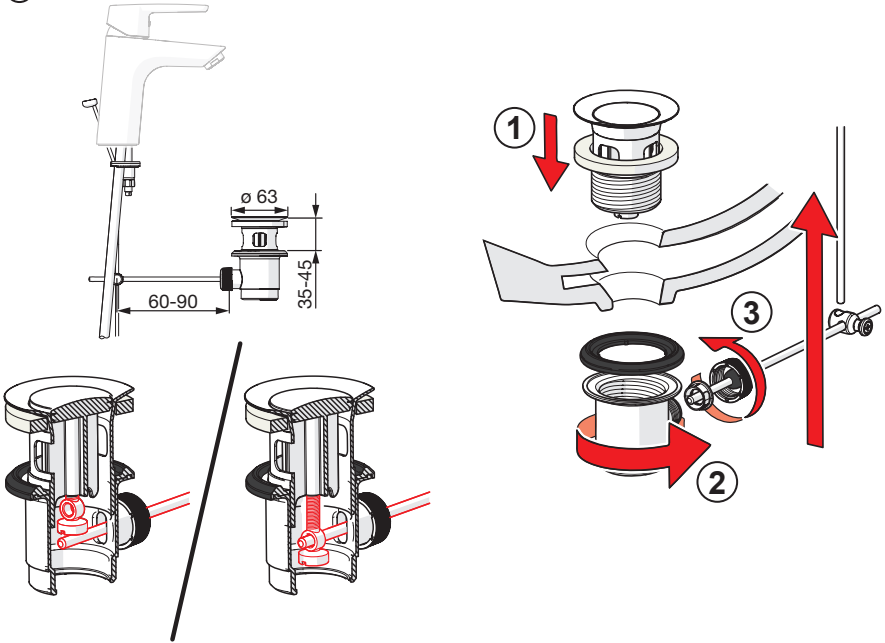


1

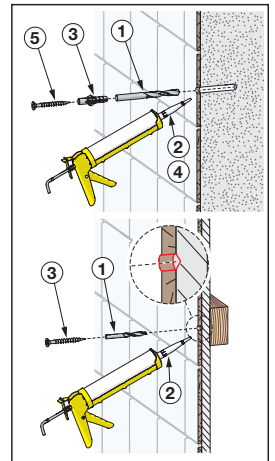
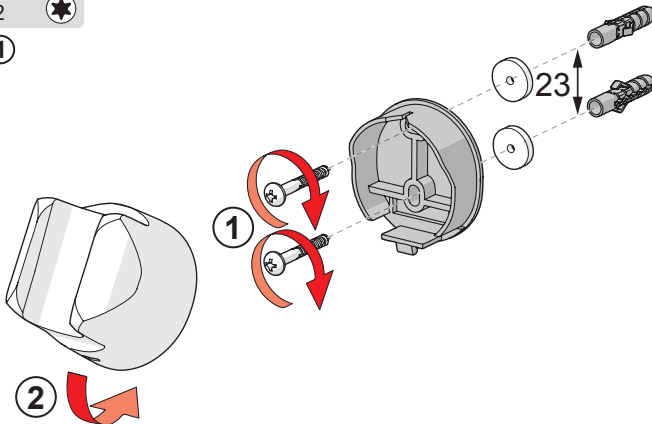


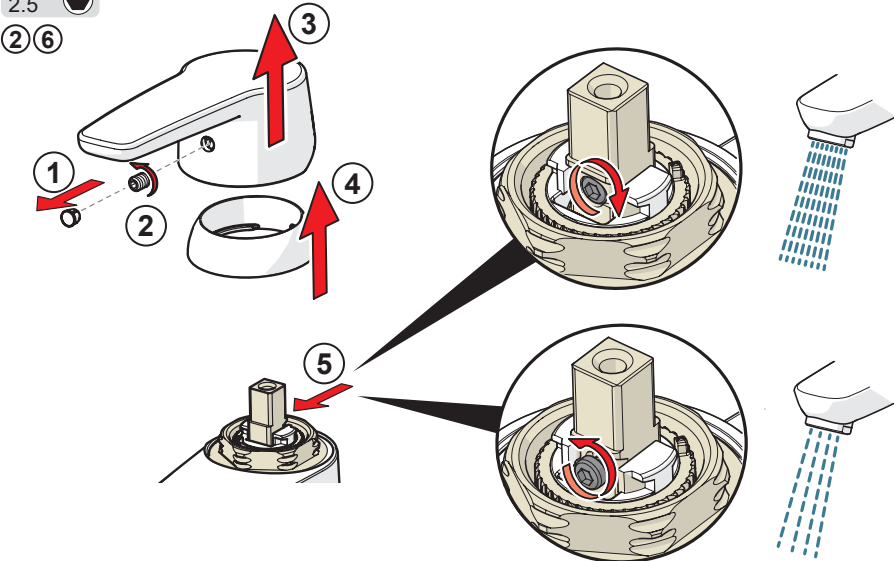
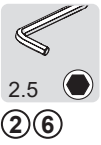
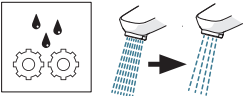
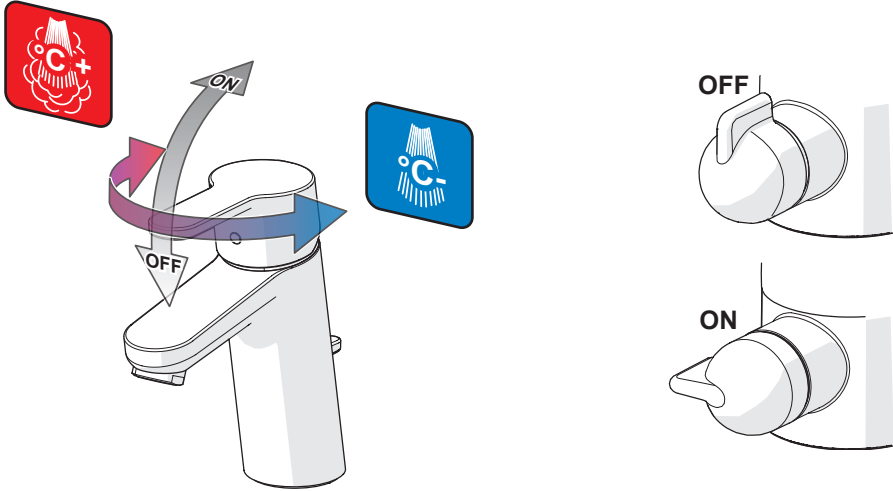


① ② ③



①





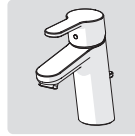


2.5

②



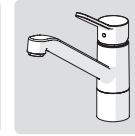
A



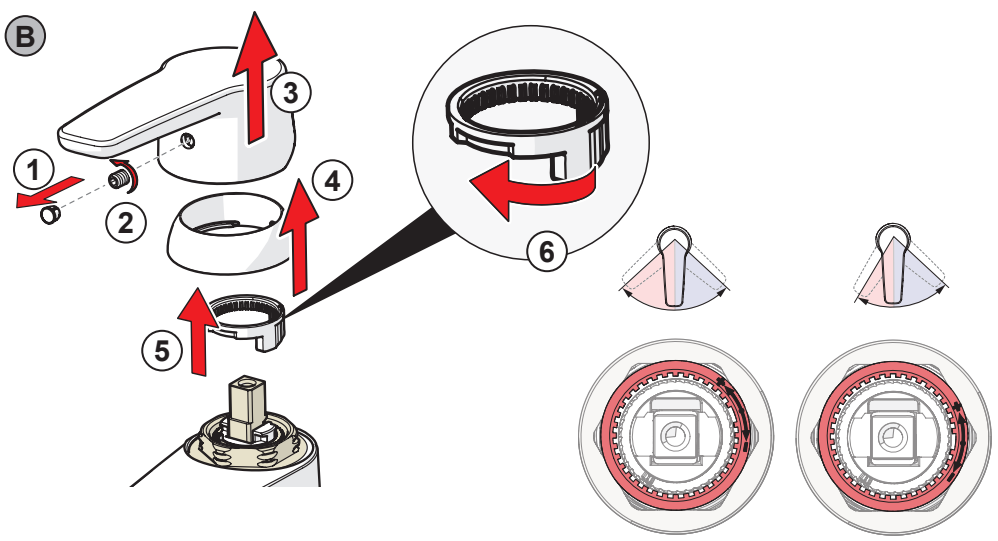
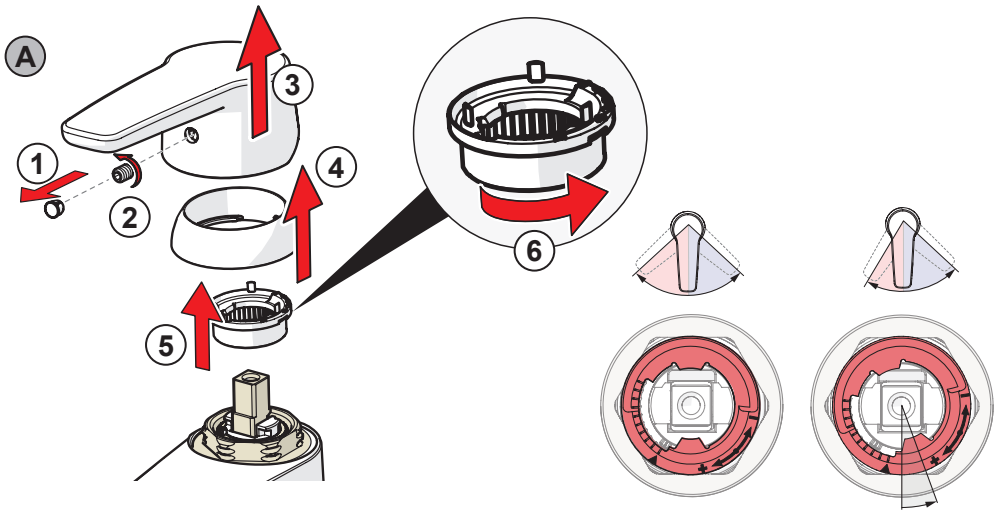
A

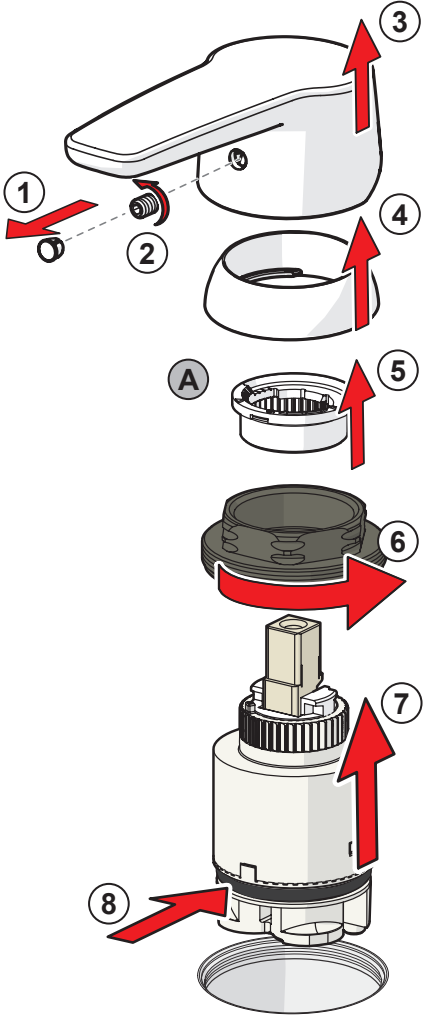
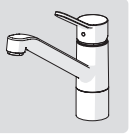
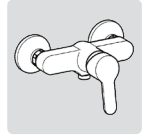
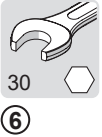
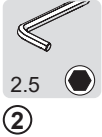
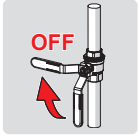


A



B





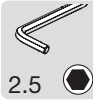
A

A

A

B

B



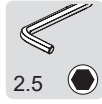
A1



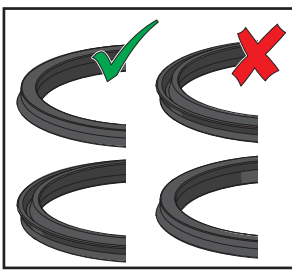
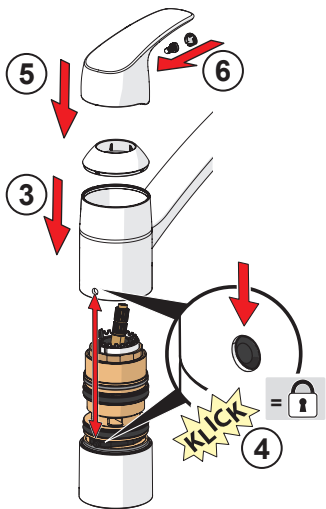
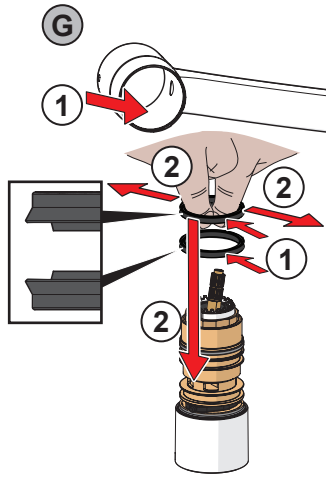
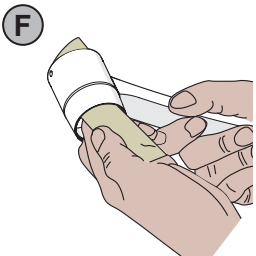
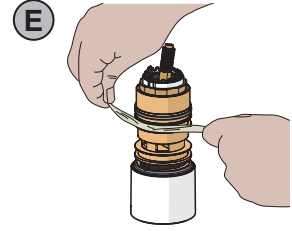
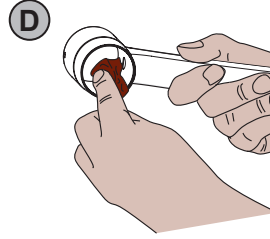
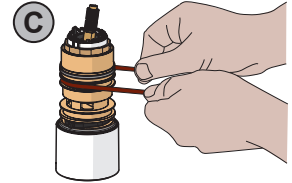
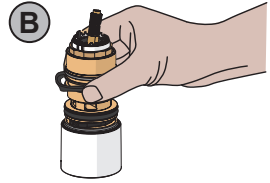
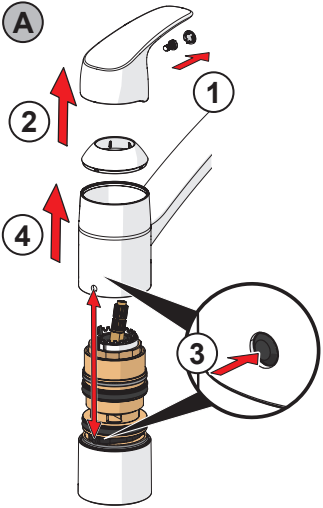
G1

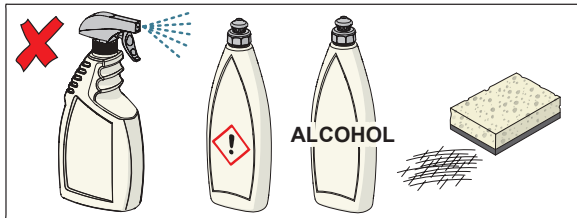
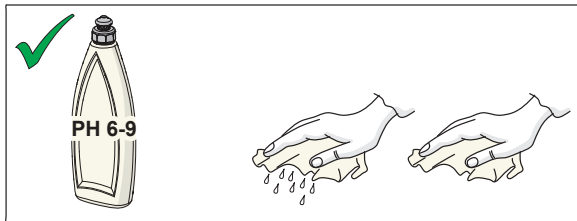
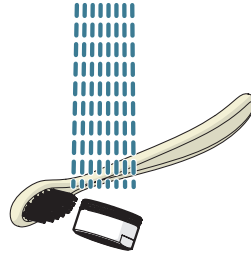
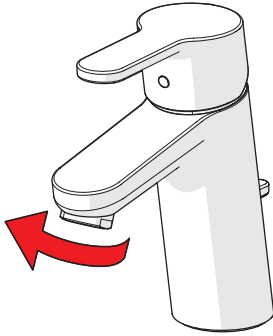


G2



G6





CLEANING.HANSA.COM