



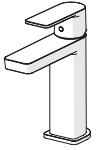
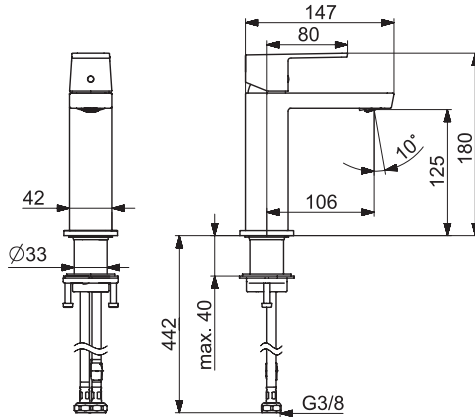
HANSASTE**LA**

Installation and maintenance guide



5719 2273

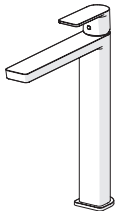
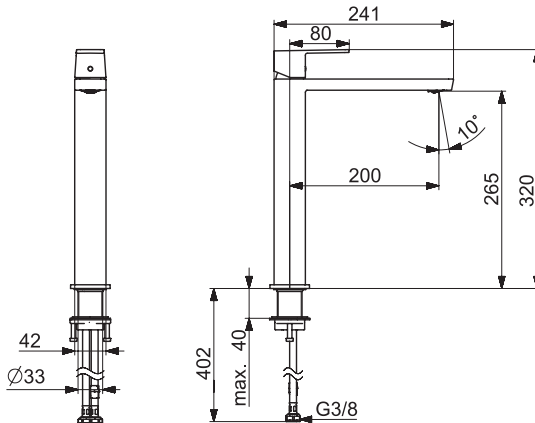
I (ISO 3822)
 EN 817
 50 - 1000 kPa
 0.092 l/s (300 kPa)
 max. +80°C



mpi.hansa.com/57192273

5710 2273

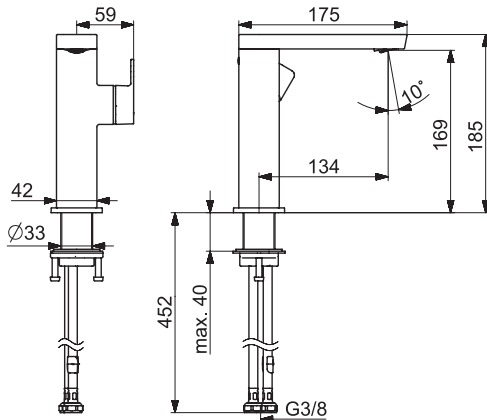
I (ISO 3822)
 EN 817
 50 - 1000 kPa
 0.092 l/s (300 kPa)
 max. +80°C



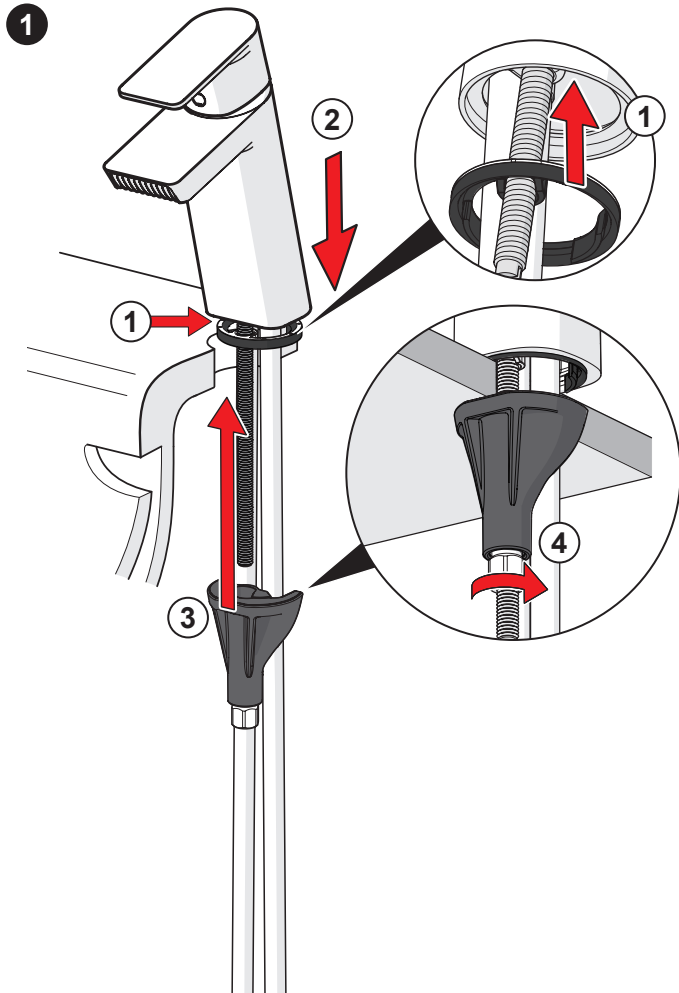
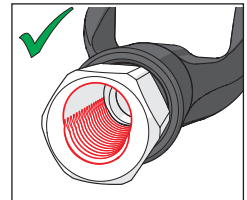
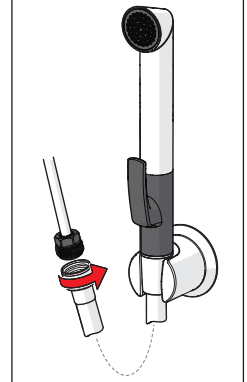
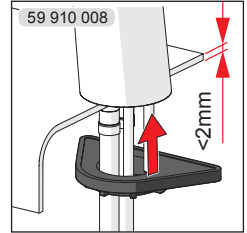
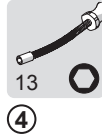
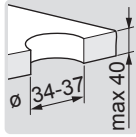
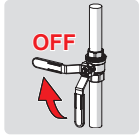
mpi.hansa.com/57102273

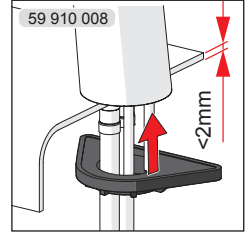
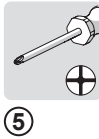
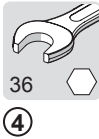
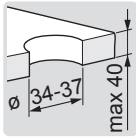
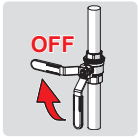
5714 2273

I (ISO 3822)
 EN 817
 50 - 1000 kPa
 0.082 l/s (300 kPa)
 max. +80°C

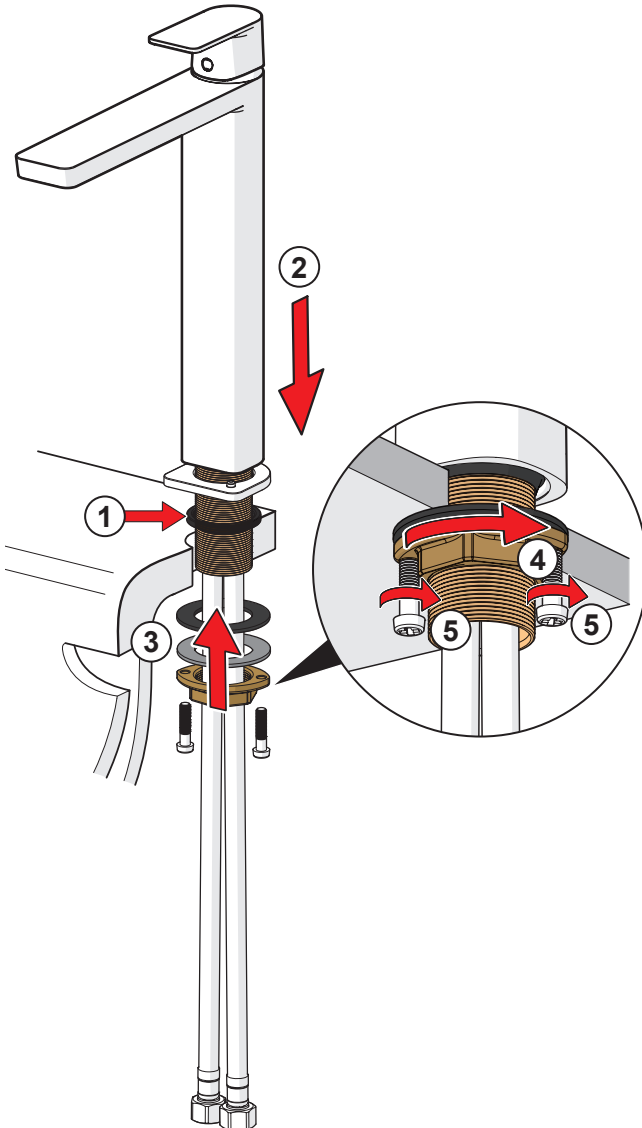


mpi.hansa.com/57142273



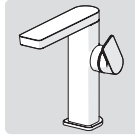


1

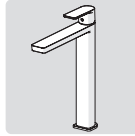




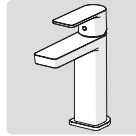
19
 ①
 max.
 1600 kPa



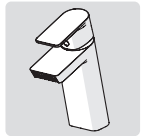
① A



① A

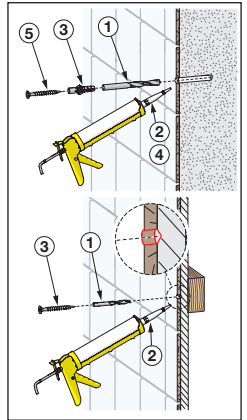
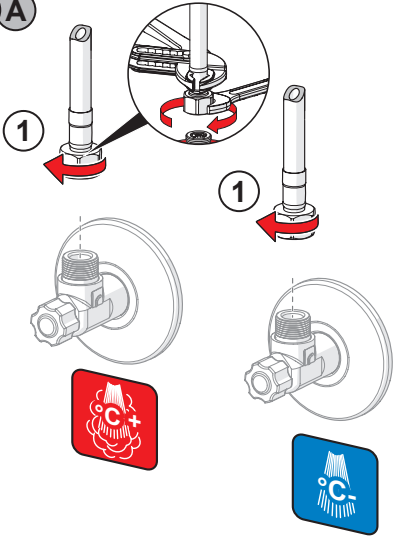


① A

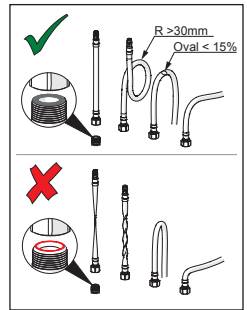
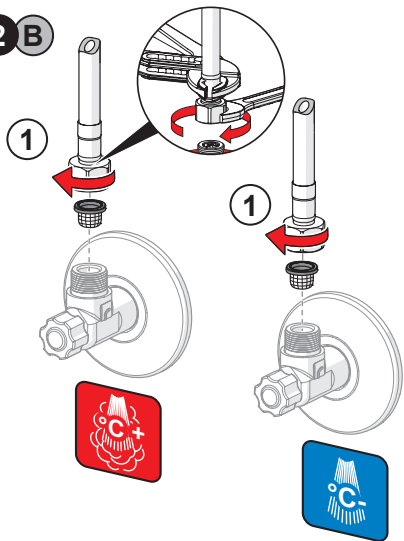


① B

② A

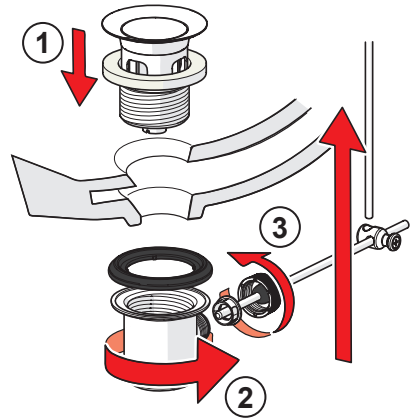
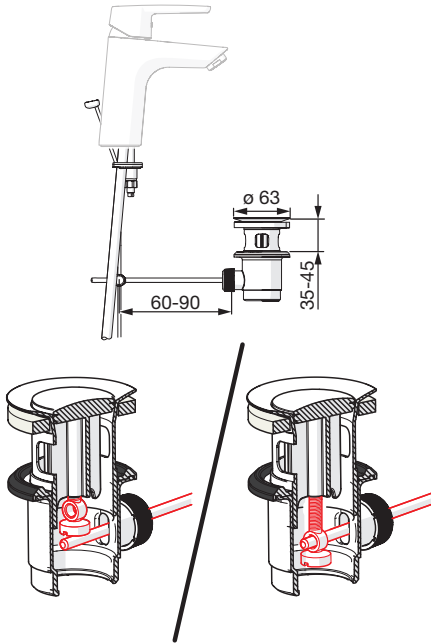


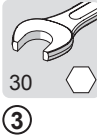
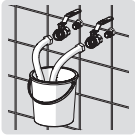
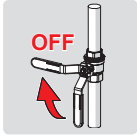
② B



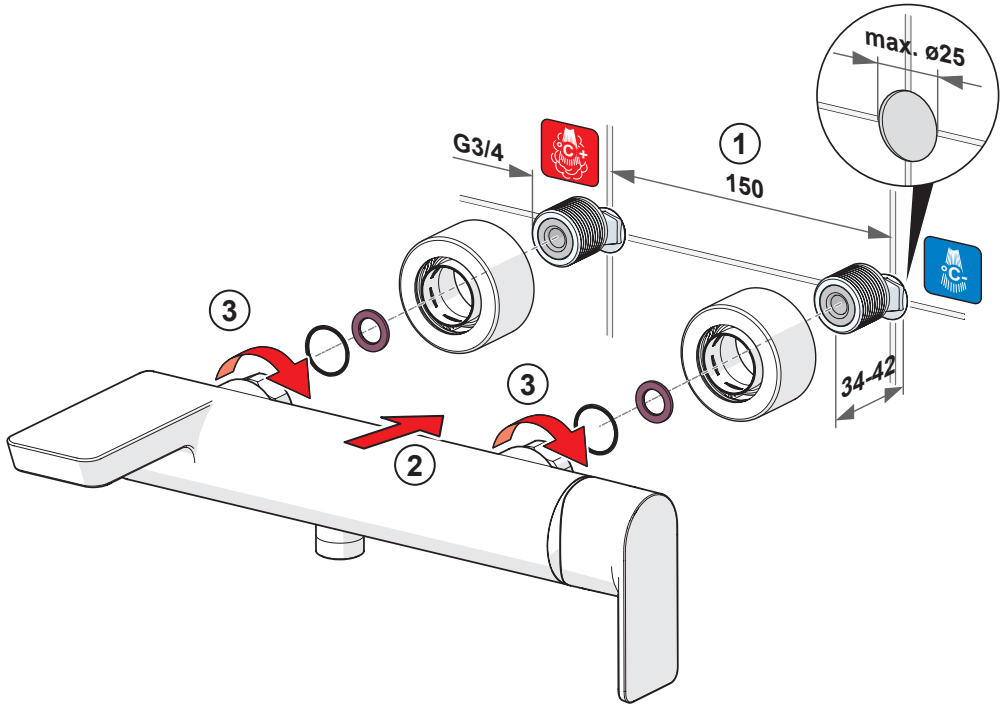


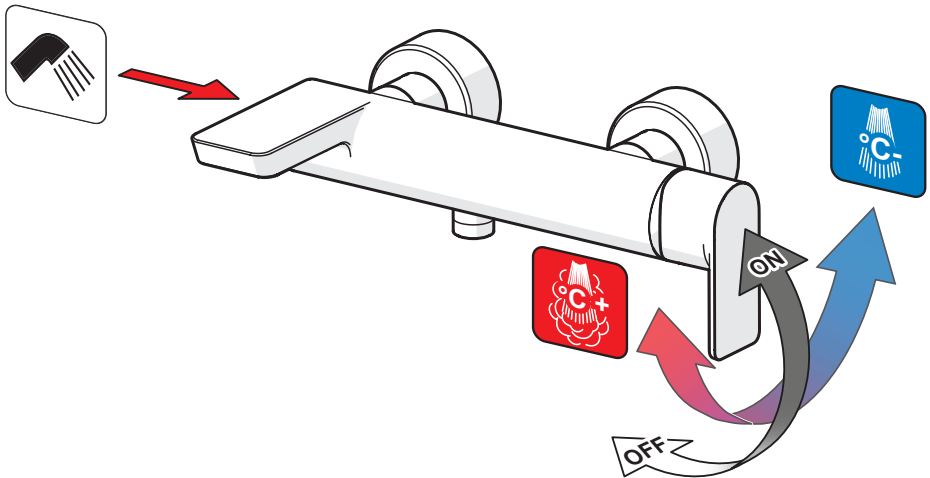
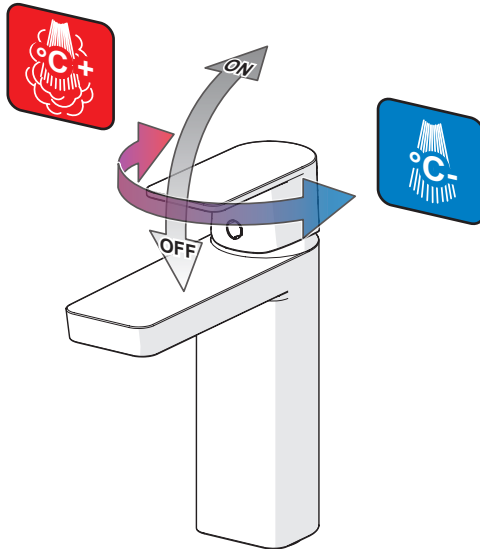
① ② ③

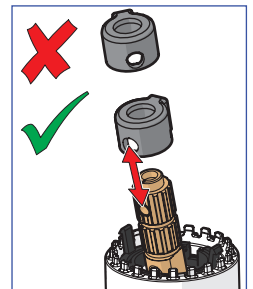
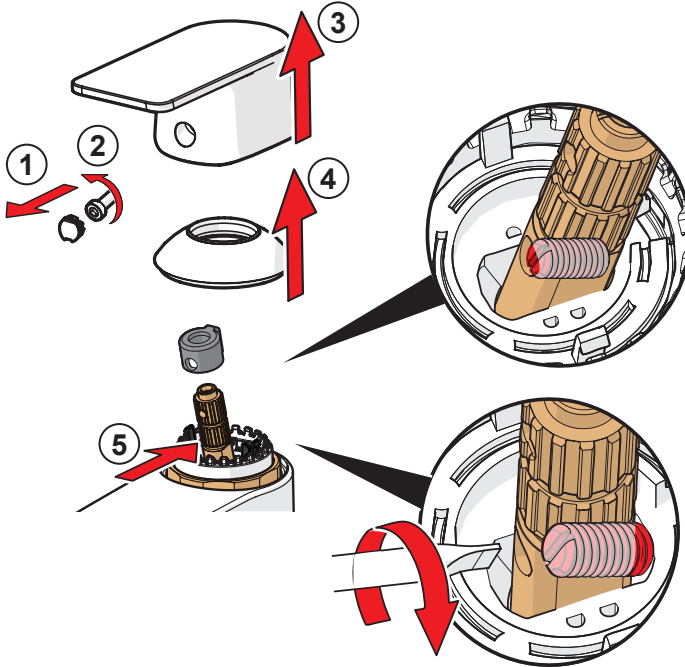
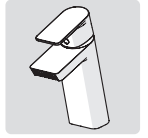
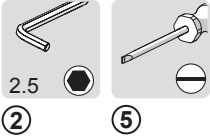
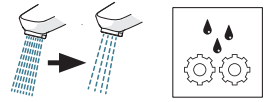


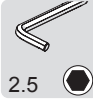


max.
1600 kPa







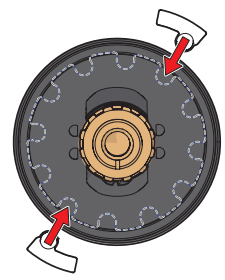
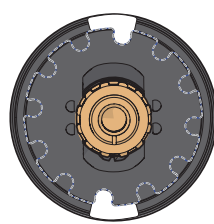
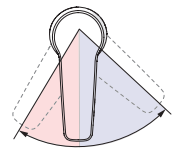
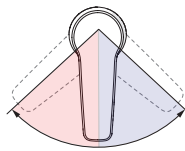
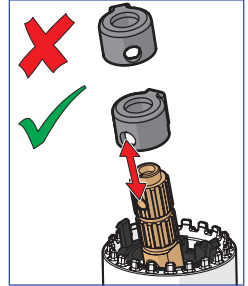
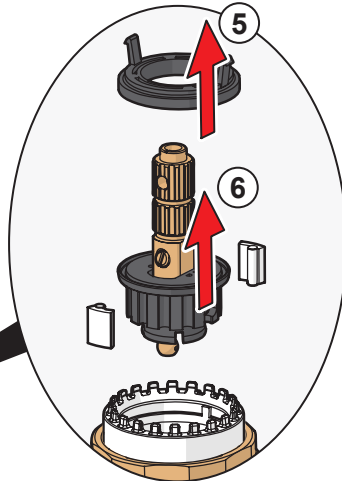
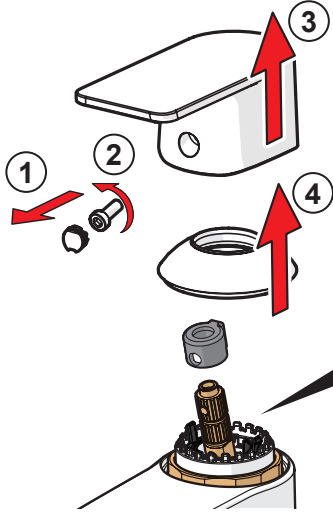
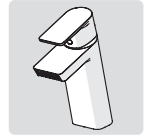
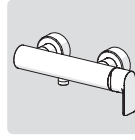
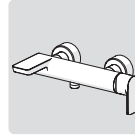


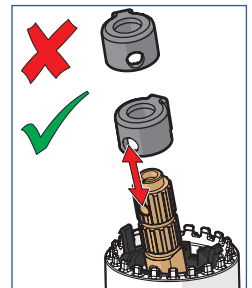
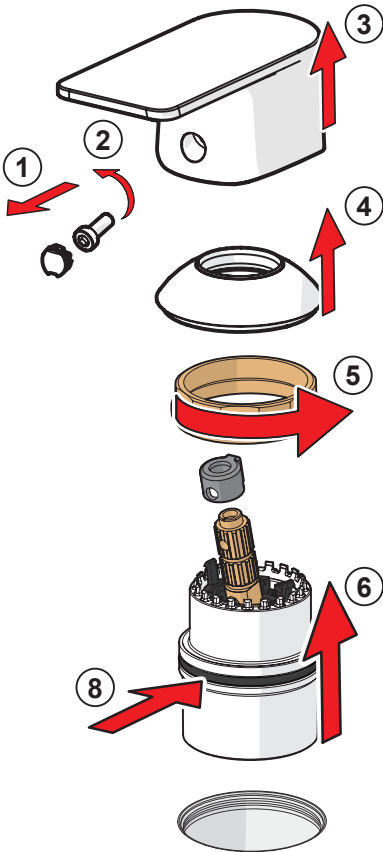
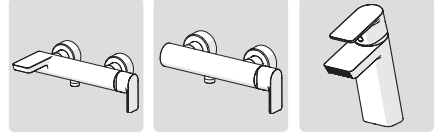
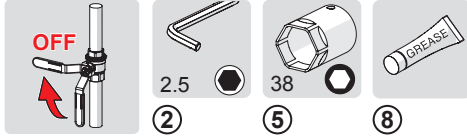
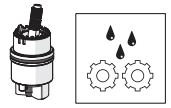
2.5

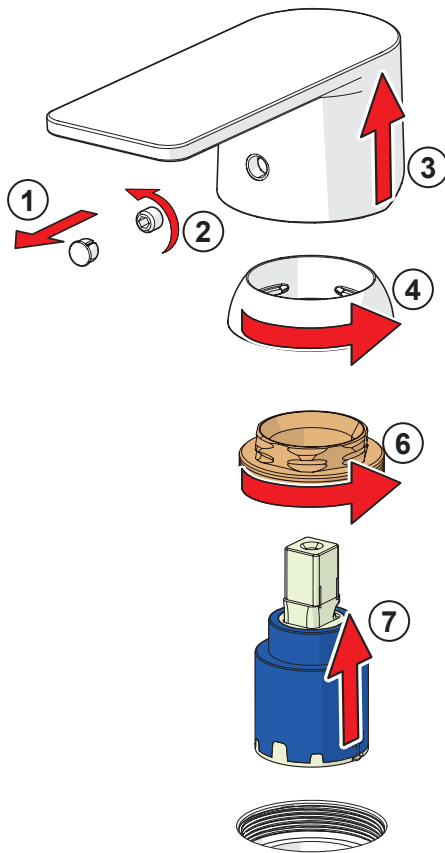
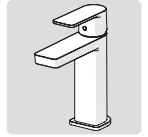
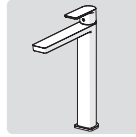
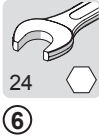
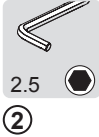
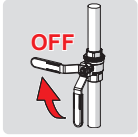
②

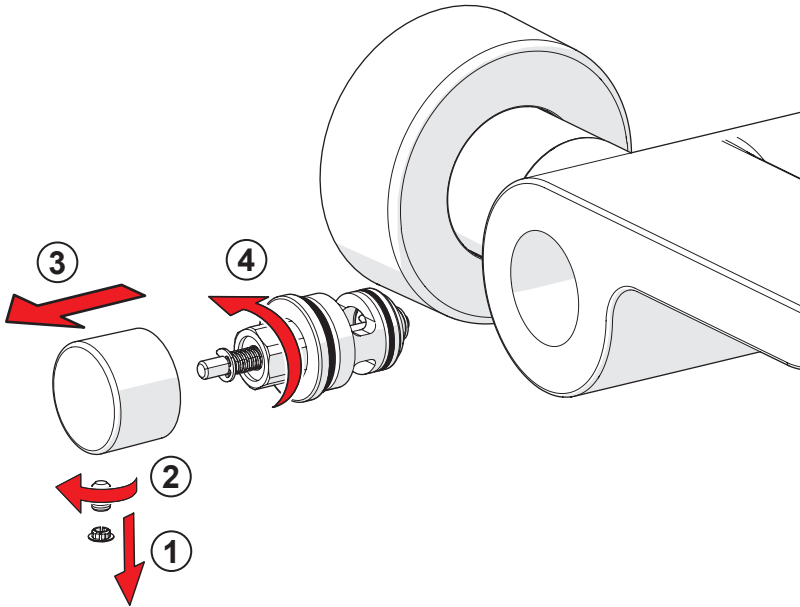
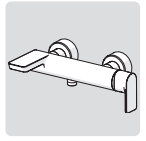
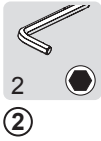
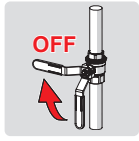


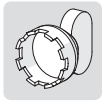
⑤ ⑥



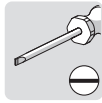








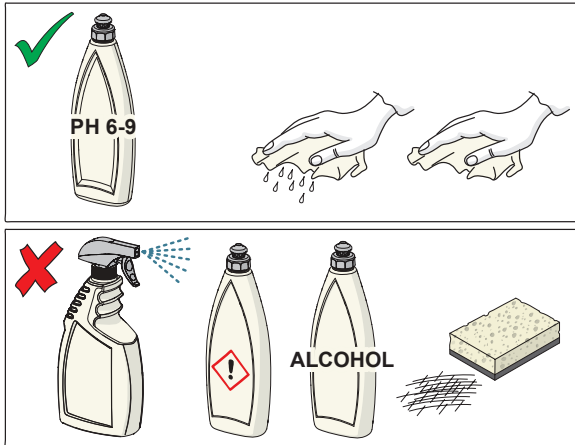
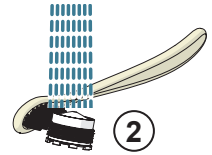
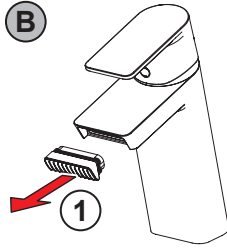
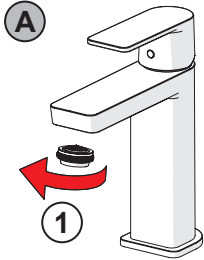
A1



B1



2



CLEANING.HANSA.COM