



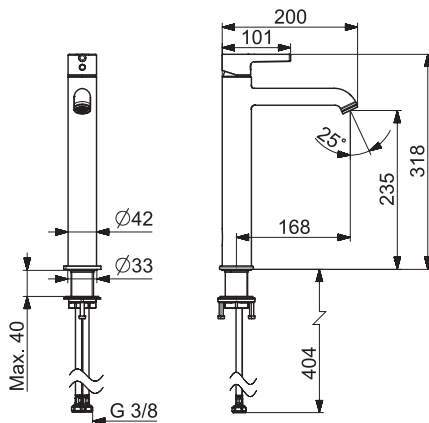
HANSA

Installation and maintenance guide



5447 2207

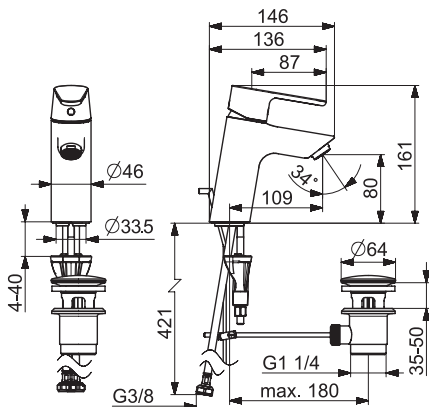
EN 817
50 - 1000 kPa
0.1 l/s (300 kPa w/Controller)
max. +70°C



mpi.hansa.com/54472207

5240 2263

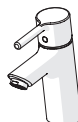
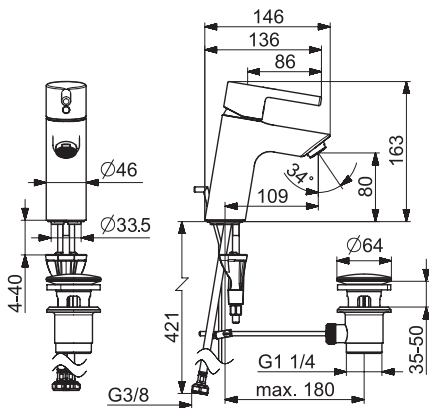
EN 817
50 - 1000 kPa
0.1 l/s (300 kPa w/Controller)
max. +70°C



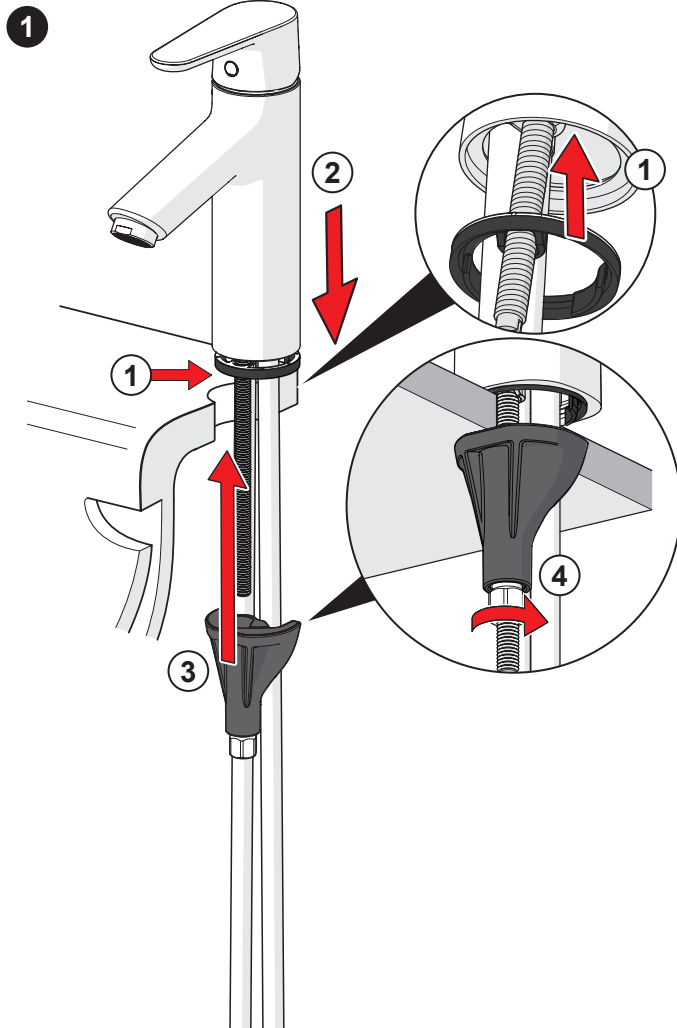
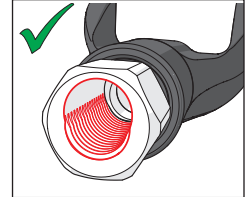
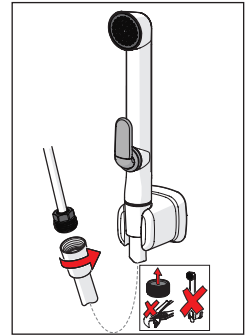
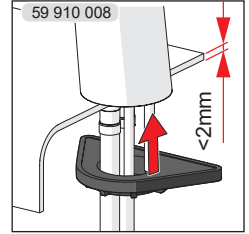
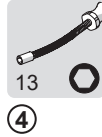
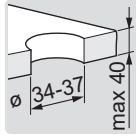
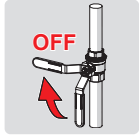
mpi.hansa.com/52402263

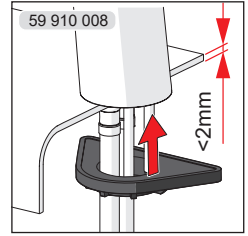
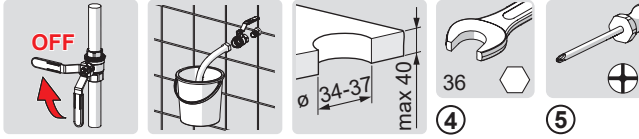
5240 2267

EN 817
50 - 1000 kPa
0.1 l/s (300 kPa w/Controller)
max. +70°C

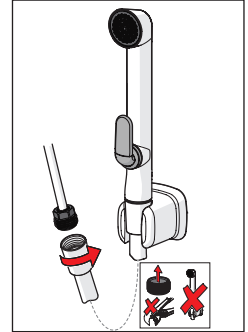
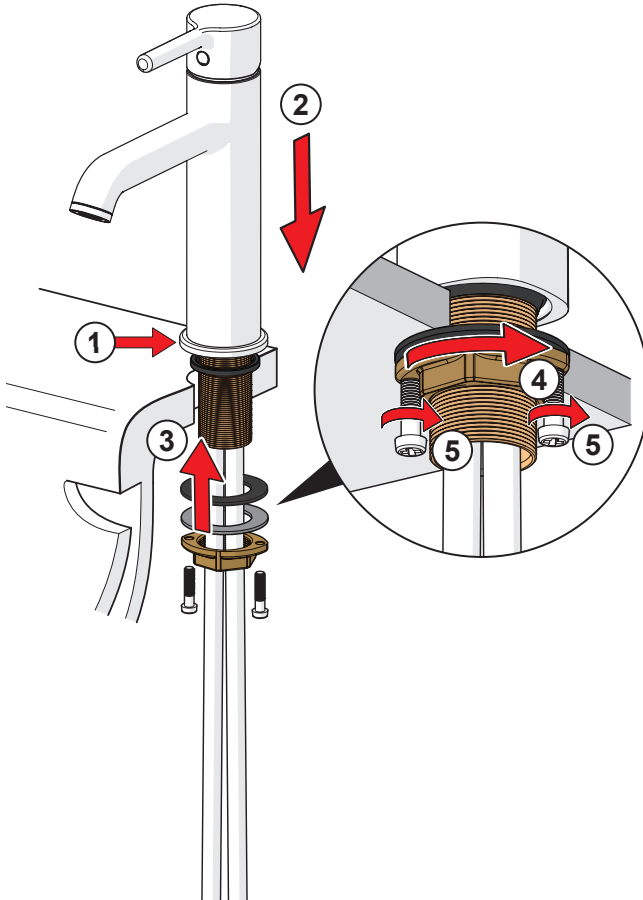


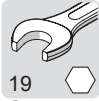
mpi.hansa.com/52402267





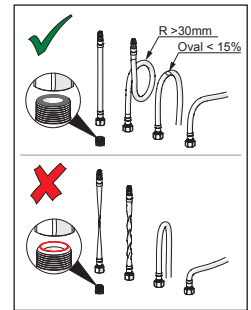
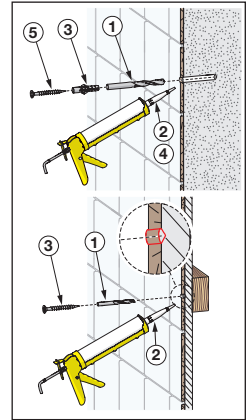
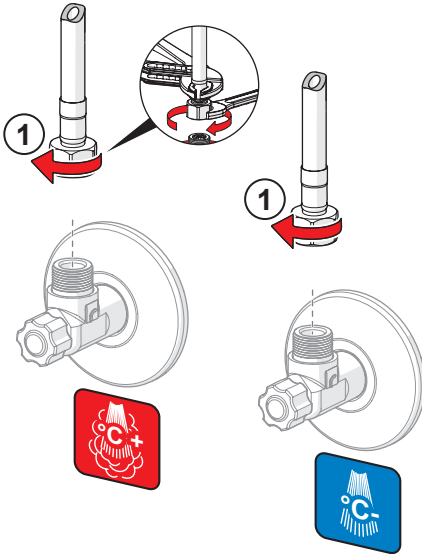
1

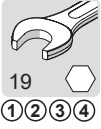




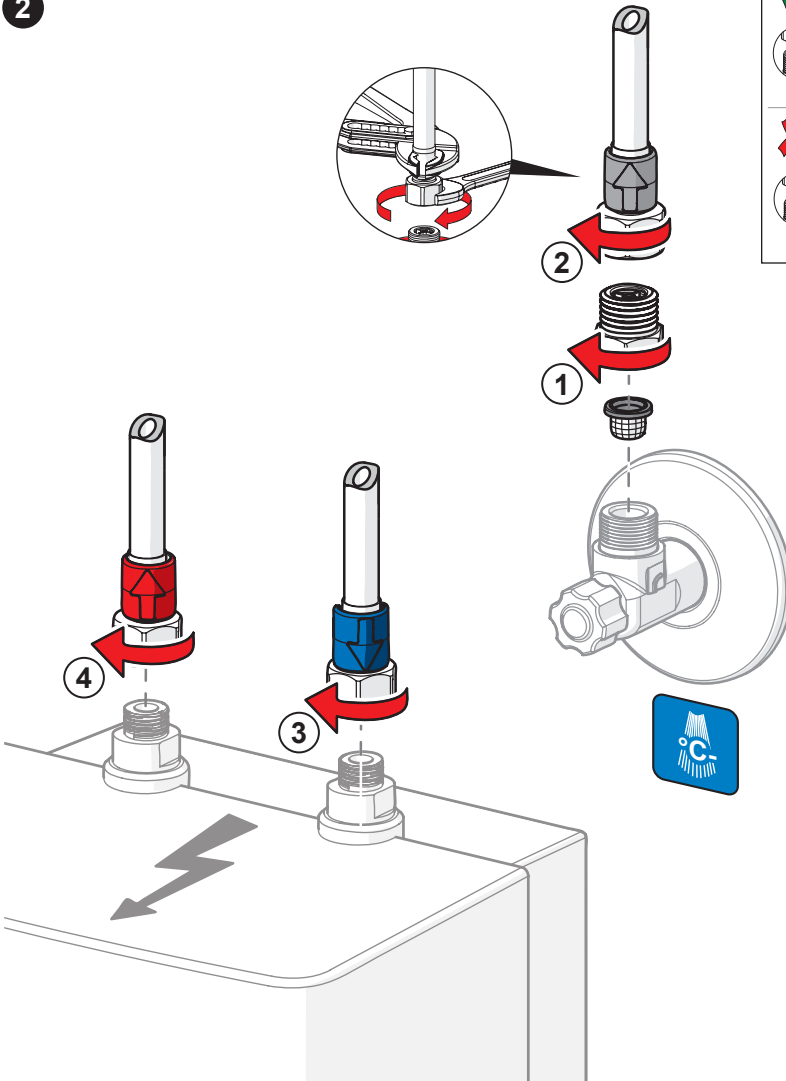
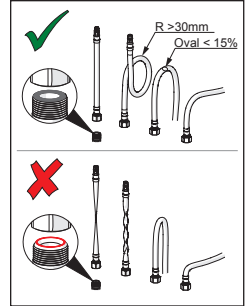
1 max. 1600 kPa

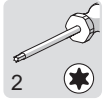
2



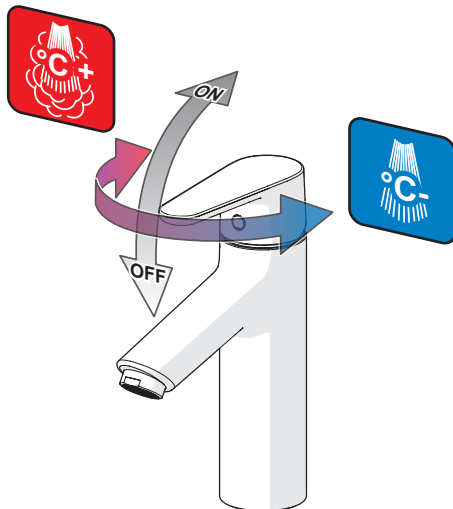
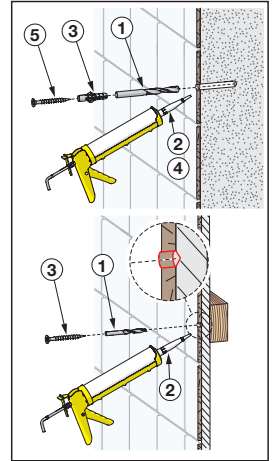
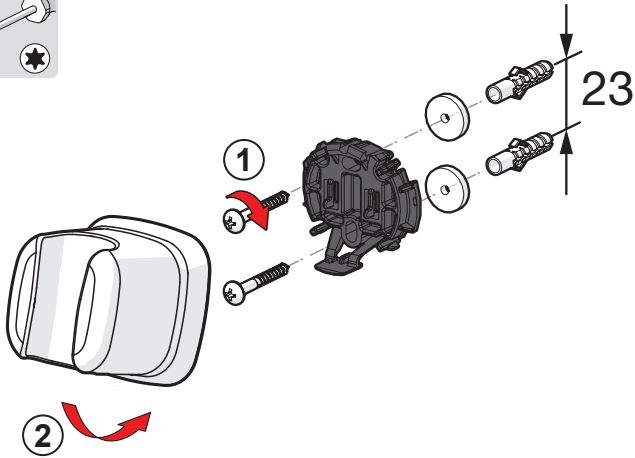


2



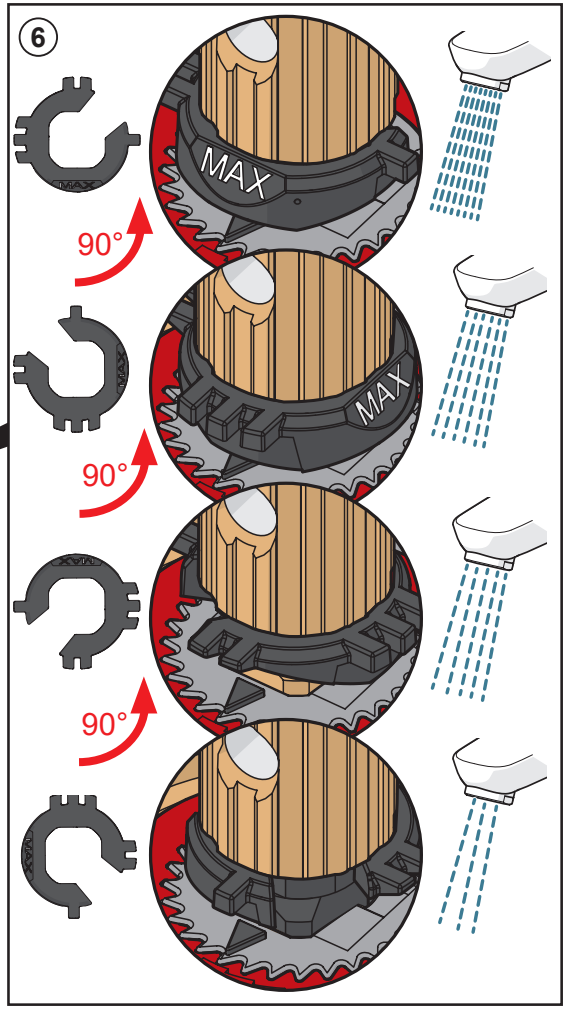
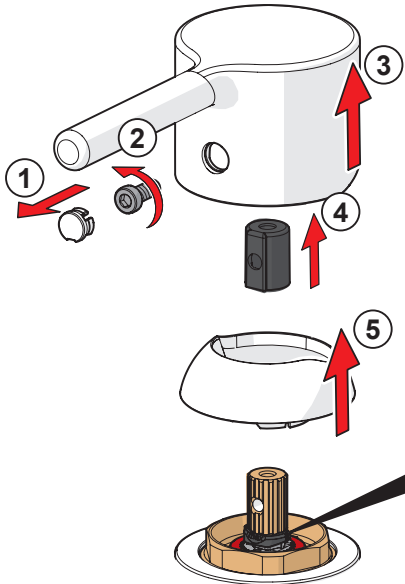
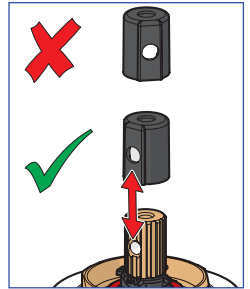


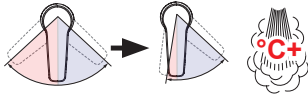
①



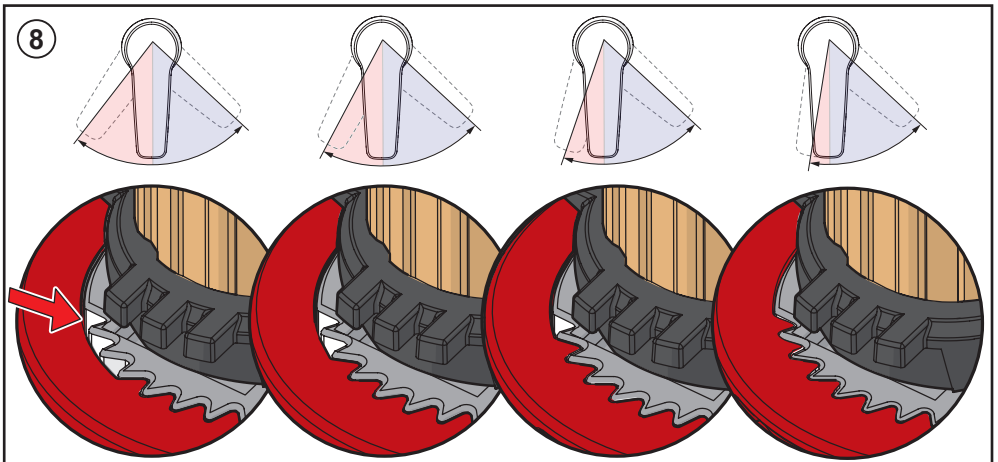
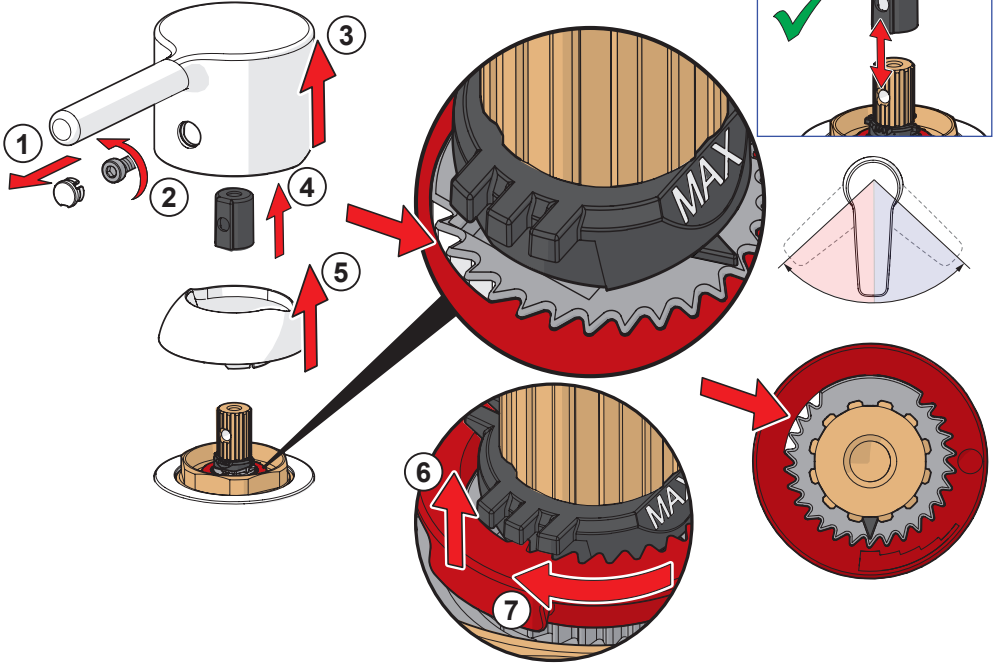


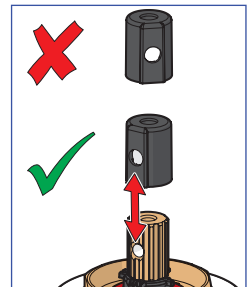
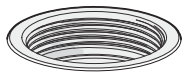
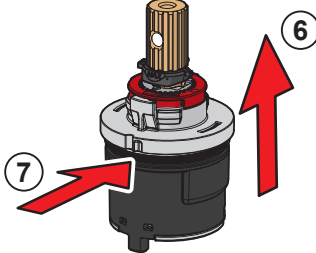
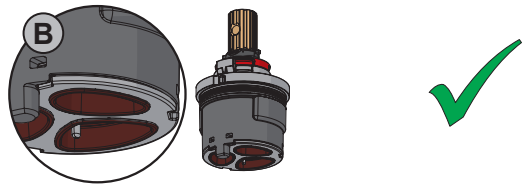
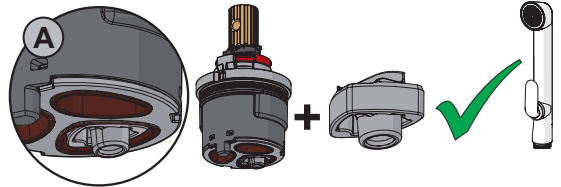
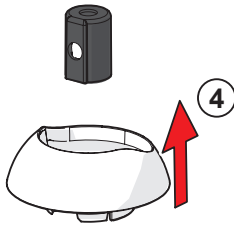
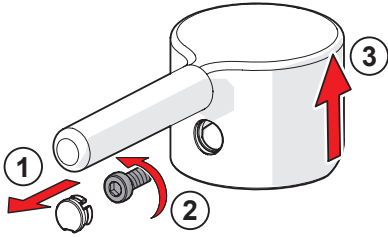
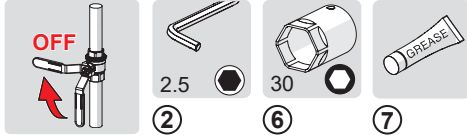
②

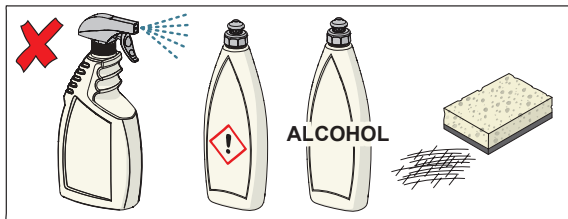
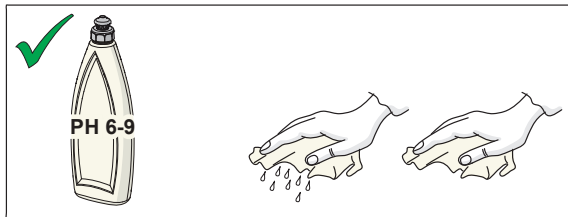
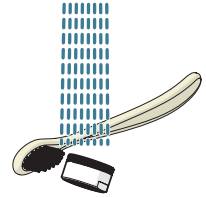




2







cleaning.hansa.com