



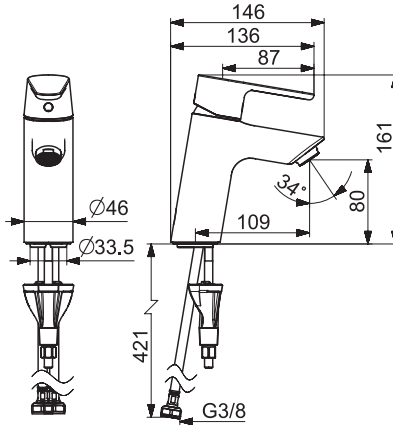
HANSA

Installation and maintenance guide



5242 2263

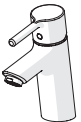
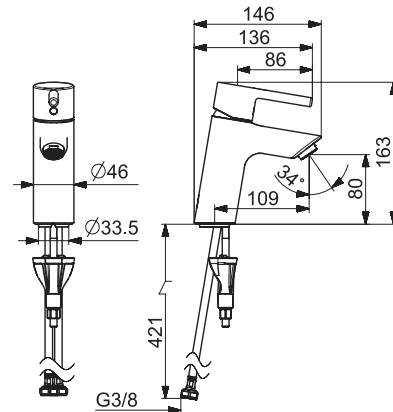
EN 817
 50 - 1000 kPa
 0.1 l/s (300 kPa w/Controller)
 max. +70°C



mpi.hansa.com/52422263

5242 2267

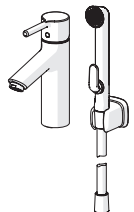
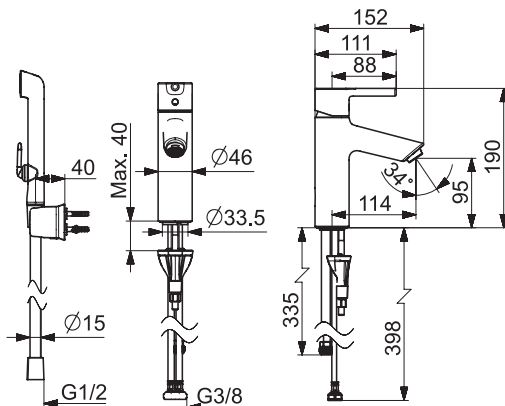
EN 817
 50 - 1000 kPa
 0.1 l/s (300 kPa w/Controller)
 max. +70°C



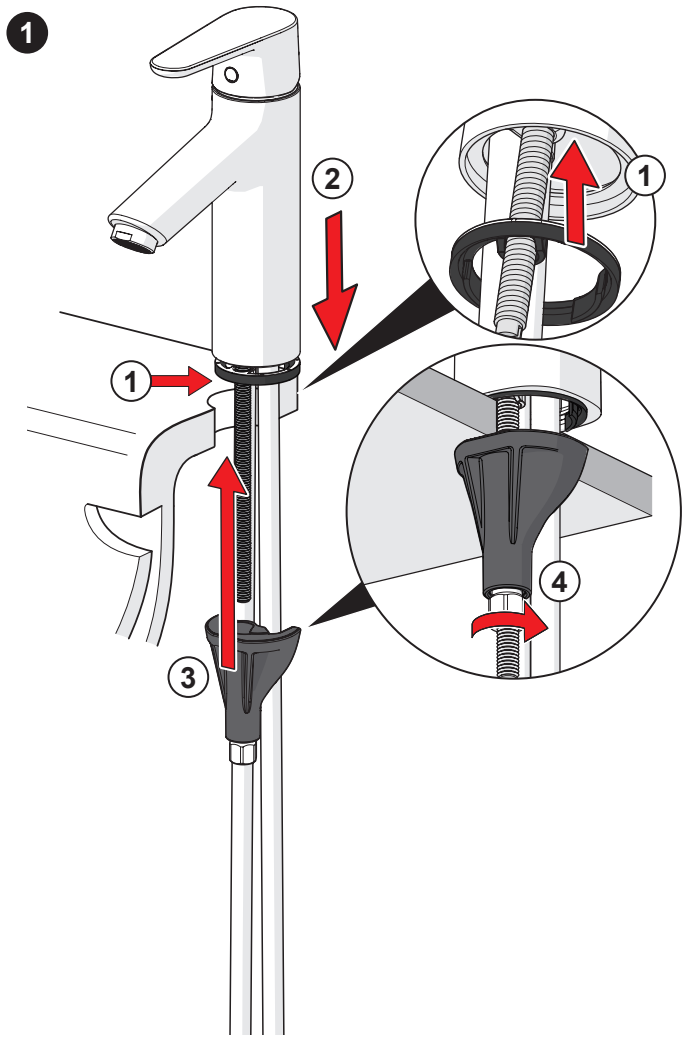
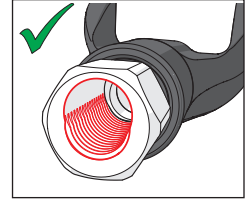
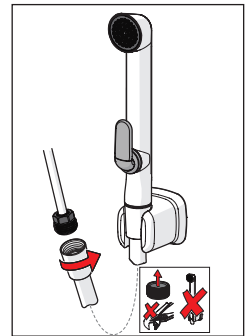
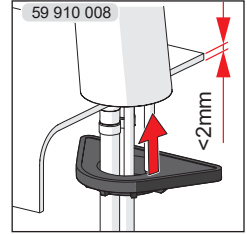
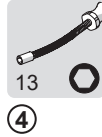
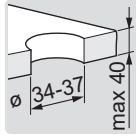
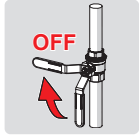
mpi.hansa.com/52372267

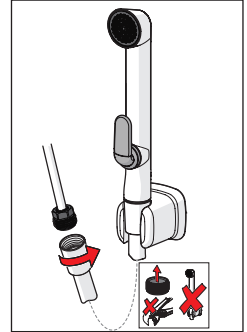
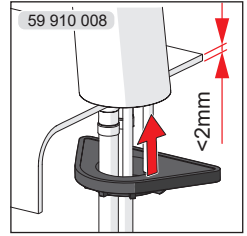
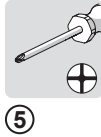
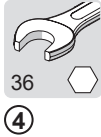
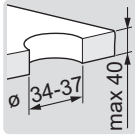
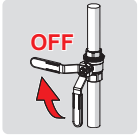
5268 2267

EN 817
 50 - 1000 kPa
 0.1 l/s (300 kPa w/Controller)
 max. +70°C

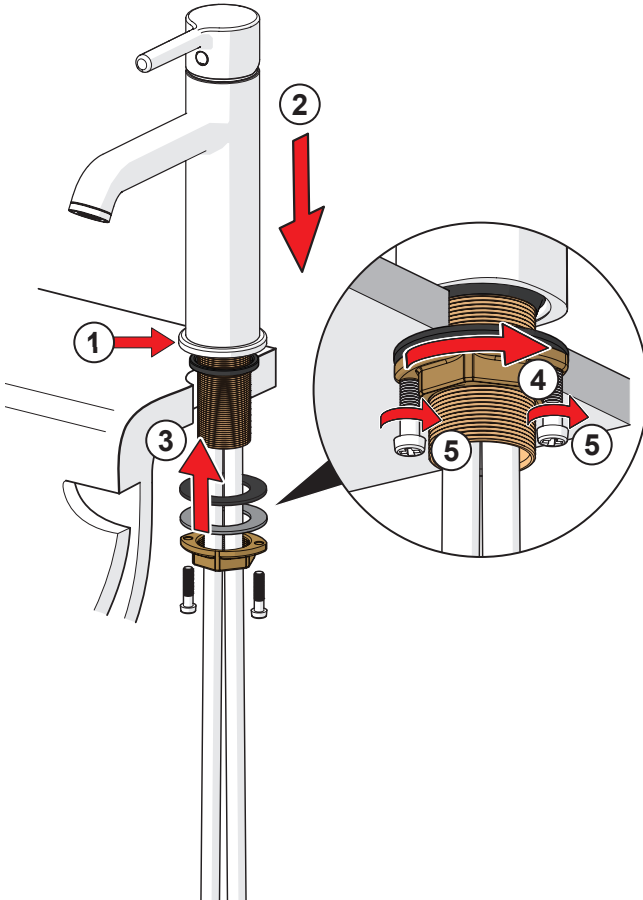


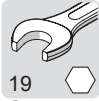
mpi.hansa.com/52682267





1

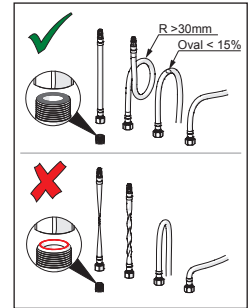
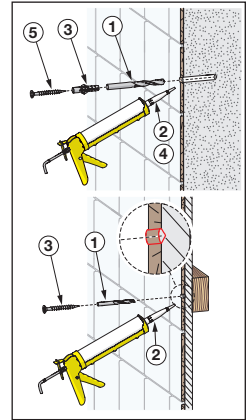
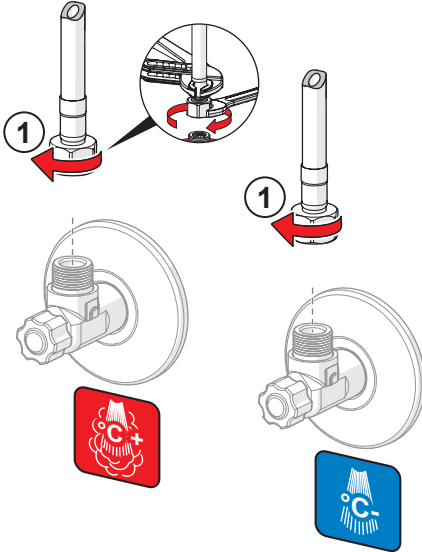


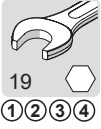


1

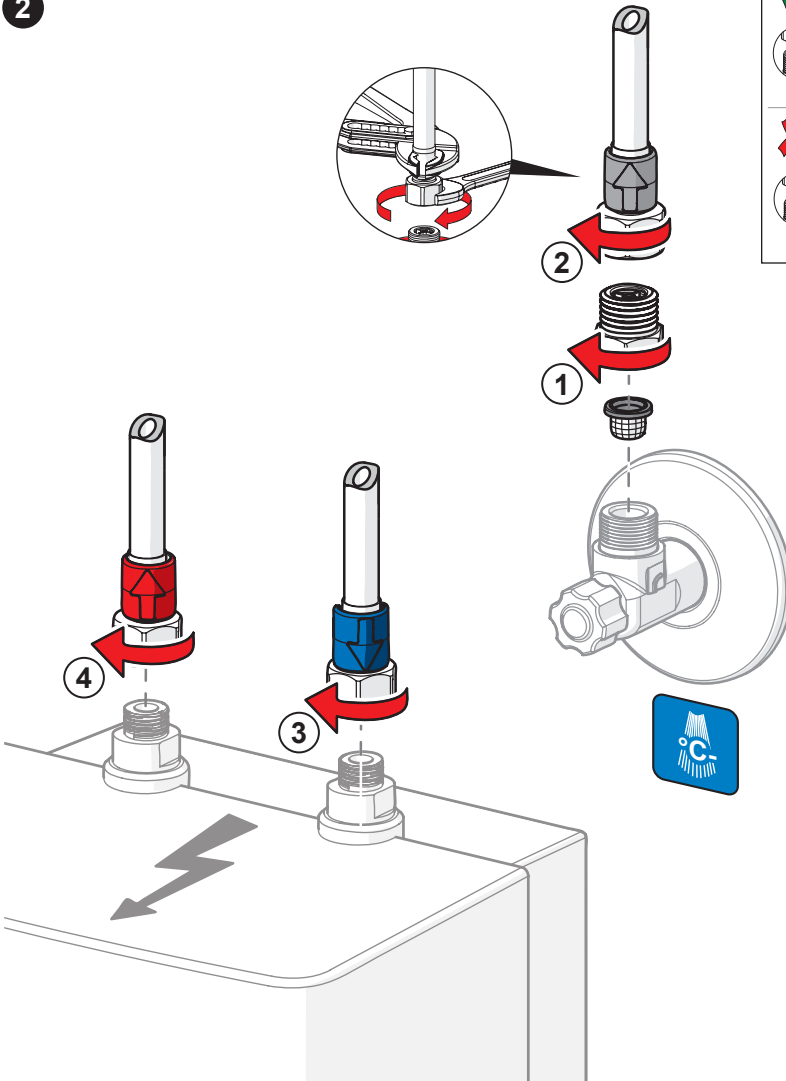
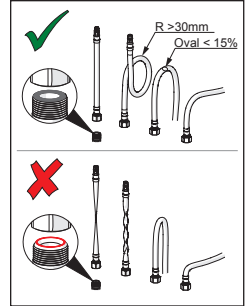
max.
1600 kPa

2



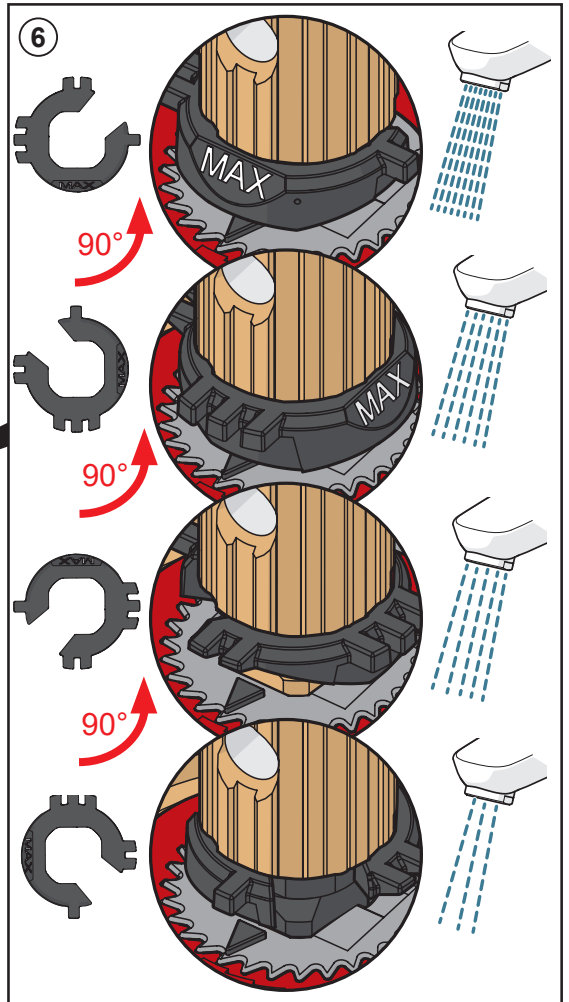
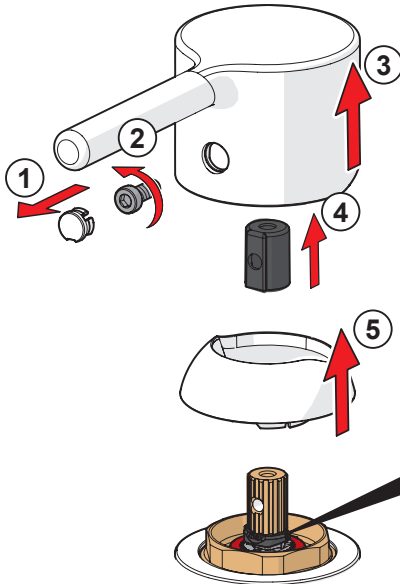
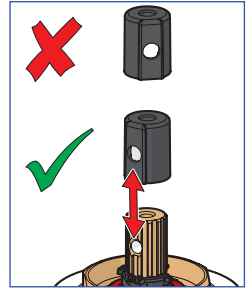


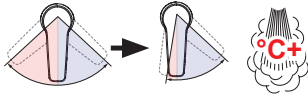
2



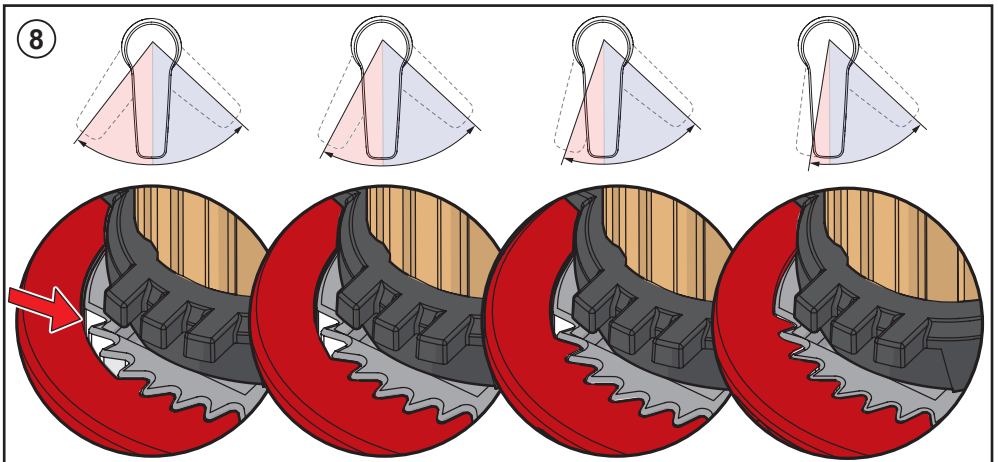
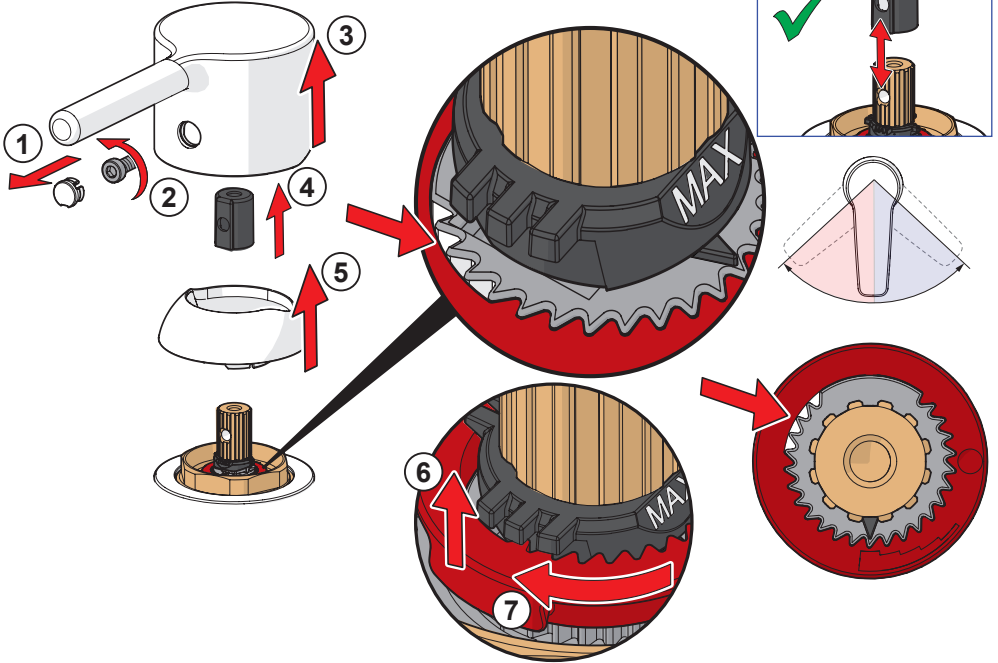


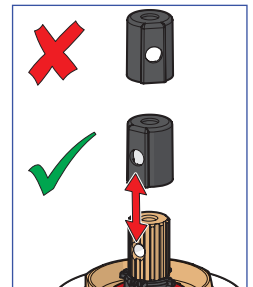
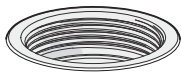
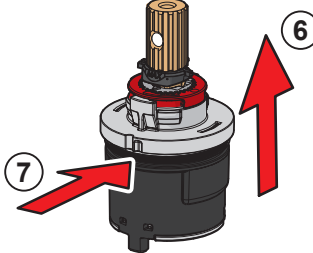
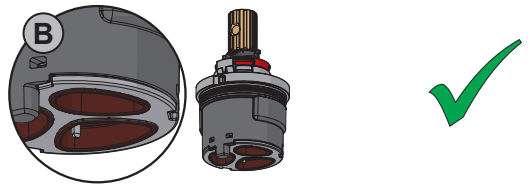
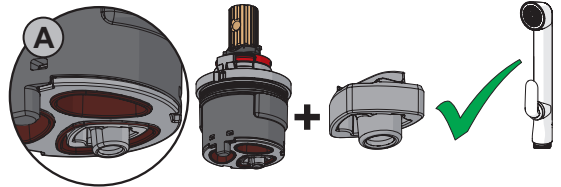
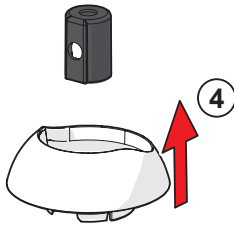
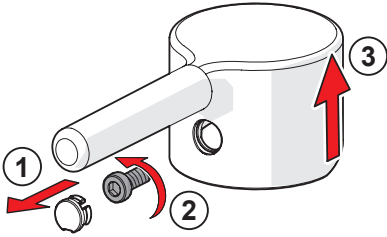
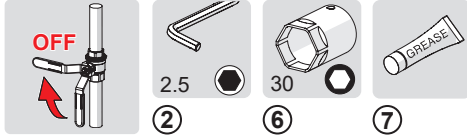
②

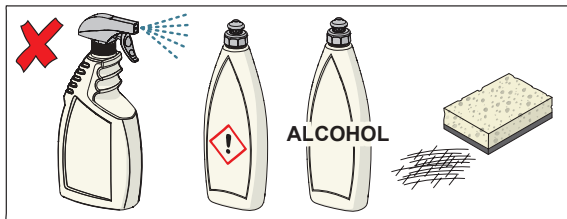
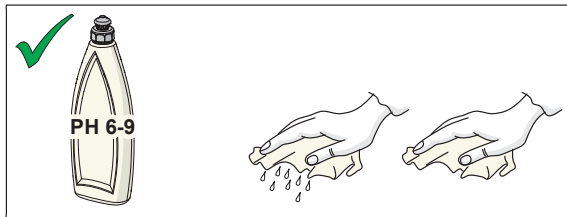
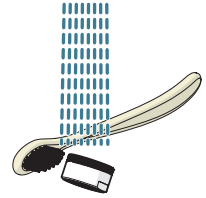




②







cleaning.hansa.com