



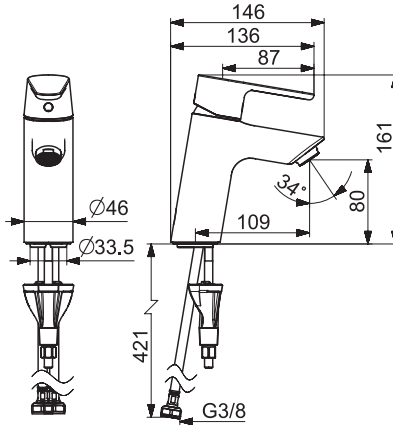
# HANSA

Installation and maintenance guide



**5242 2263**

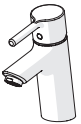
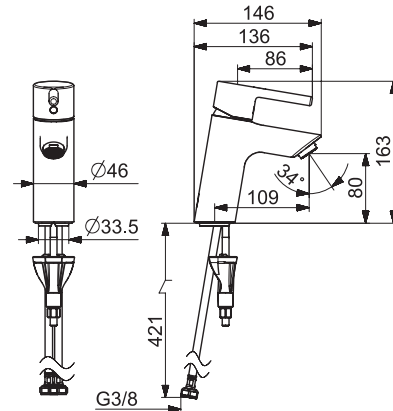
EN 817  
50 - 1000 kPa  
0.1 l/s (300 kPa w/Controller)  
max. +70°C



[mpi.hansa.com/52422263](https://mpi.hansa.com/52422263)

**5242 2267**

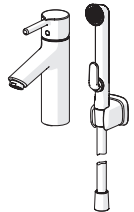
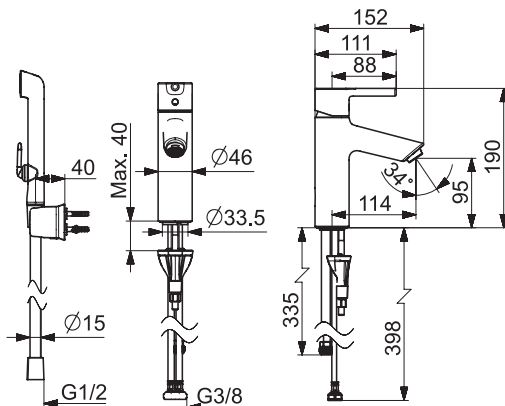
EN 817  
50 - 1000 kPa  
0.1 l/s (300 kPa w/Controller)  
max. +70°C



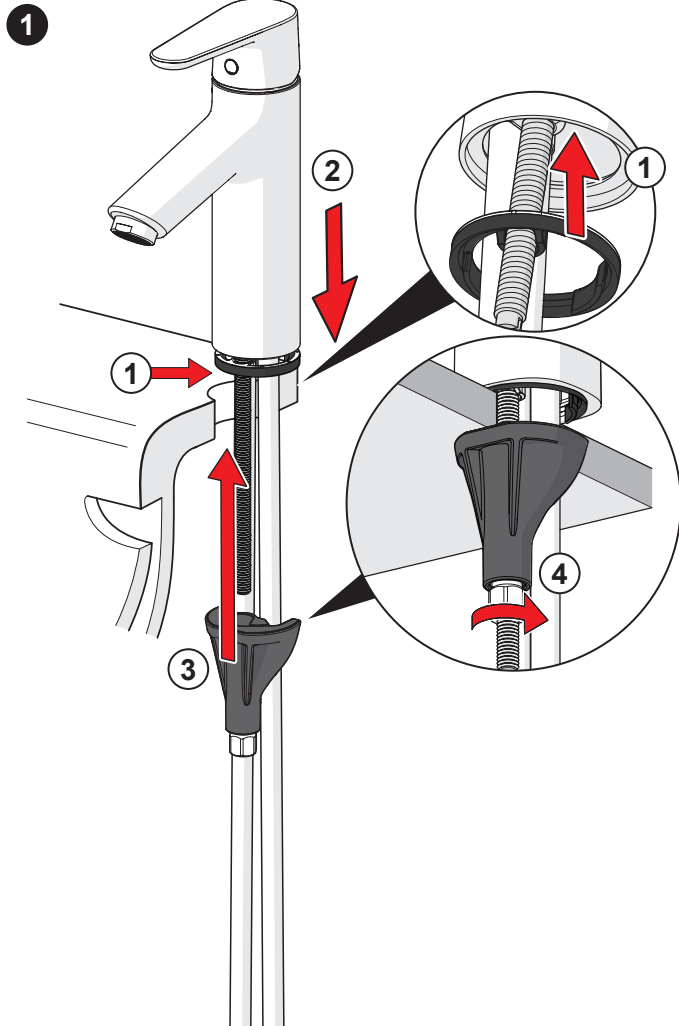
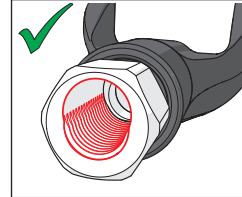
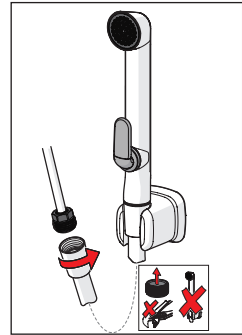
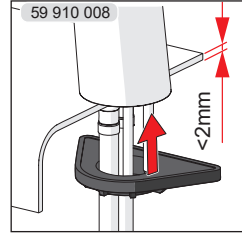
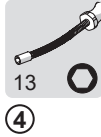
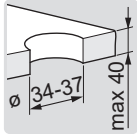
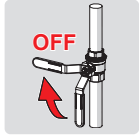
[mpi.hansa.com/52372267](https://mpi.hansa.com/52372267)

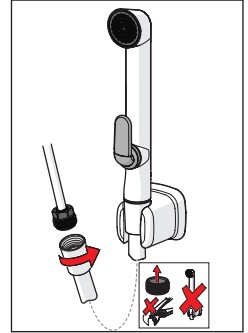
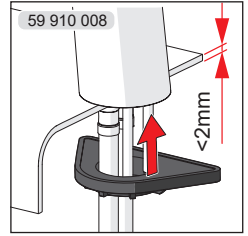
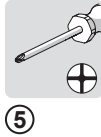
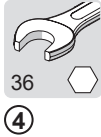
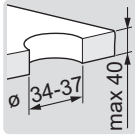
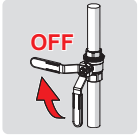
**5268 2267**

EN 817  
50 - 1000 kPa  
0.1 l/s (300 kPa w/Controller)  
max. +70°C

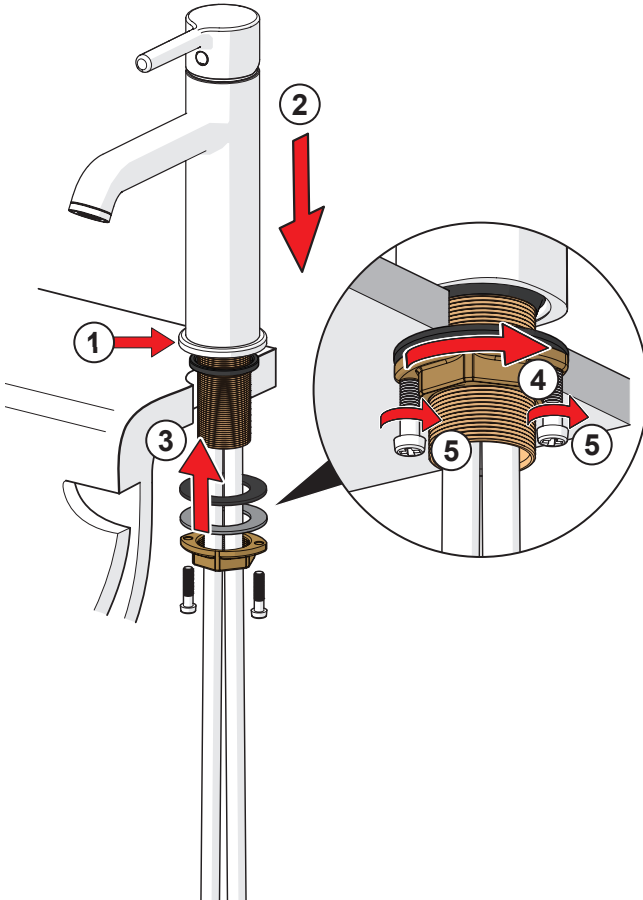


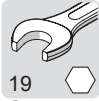
[mpi.hansa.com/52682267](https://mpi.hansa.com/52682267)





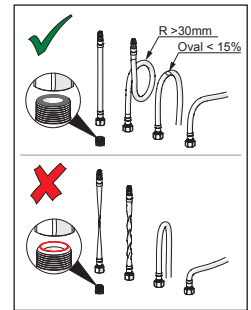
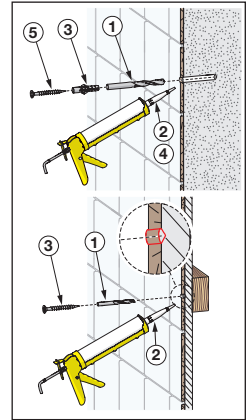
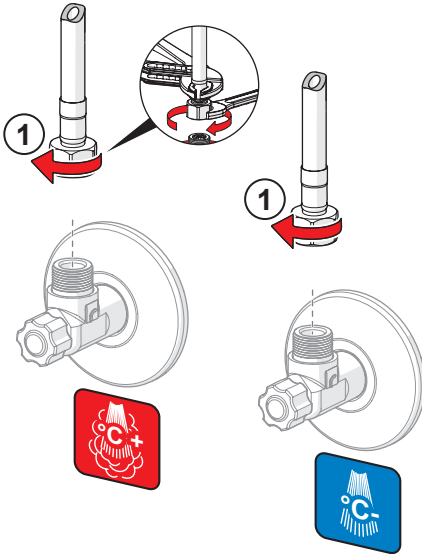
**1**

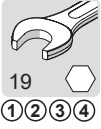




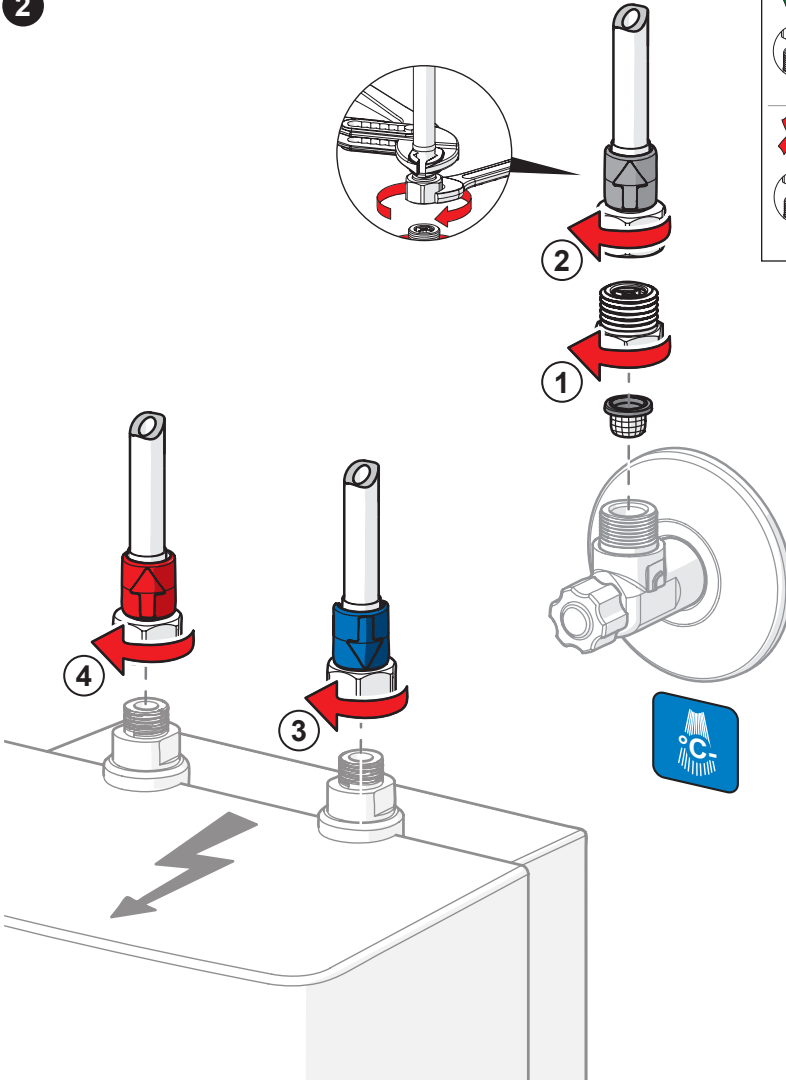
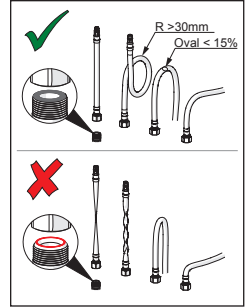
1 max. 1600 kPa

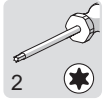
2



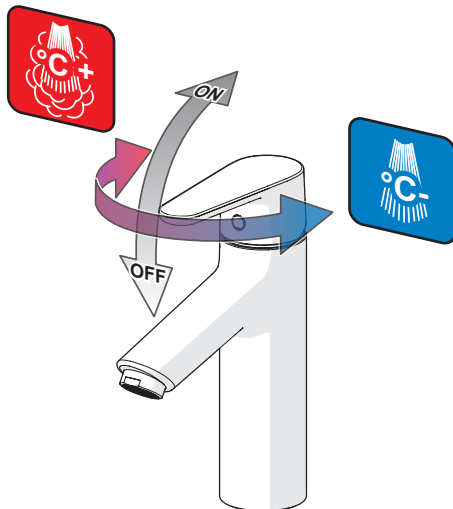
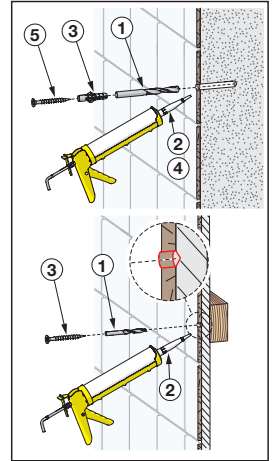
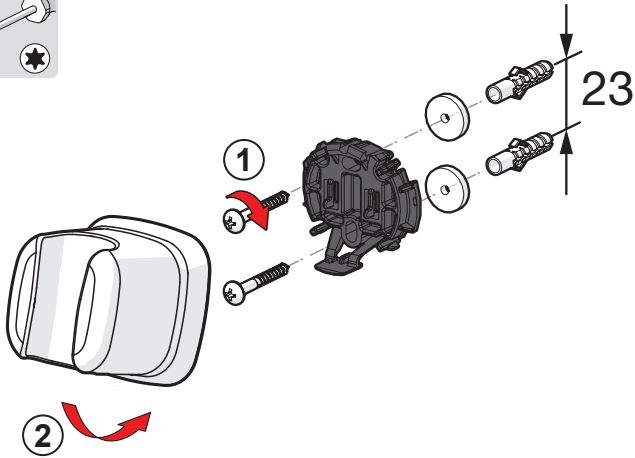


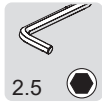
**2**



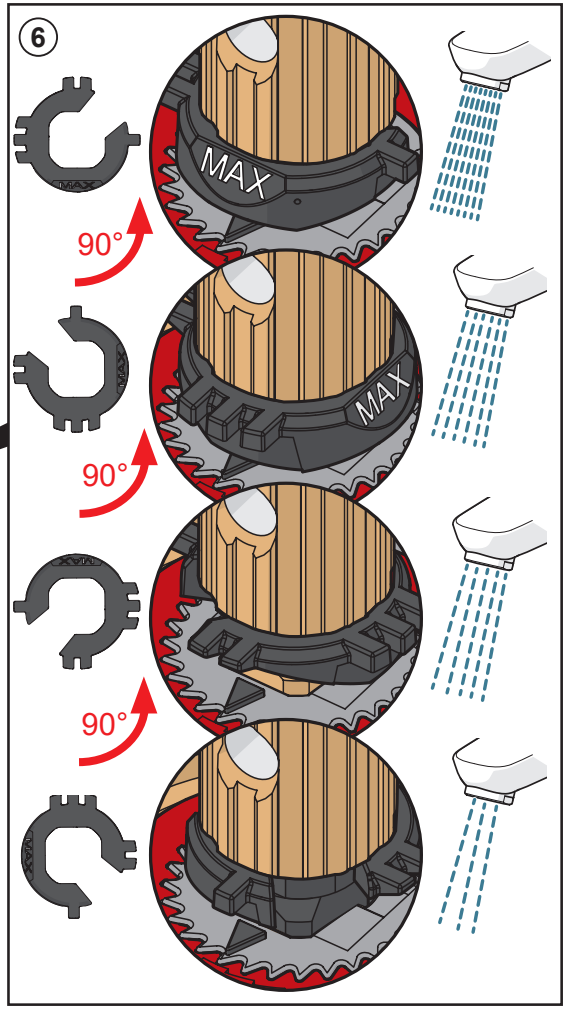
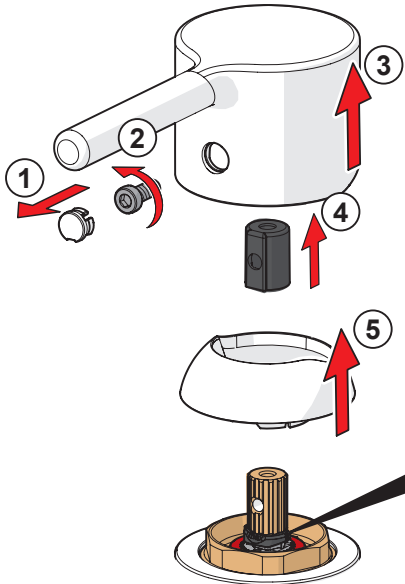
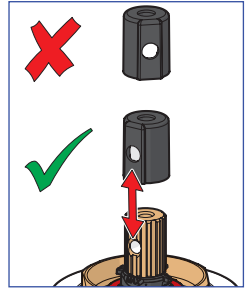


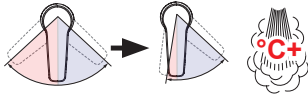
①



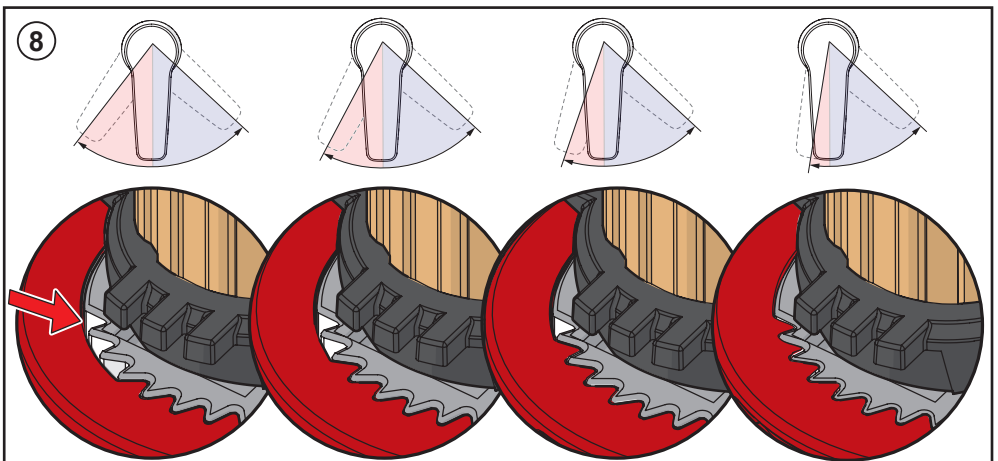
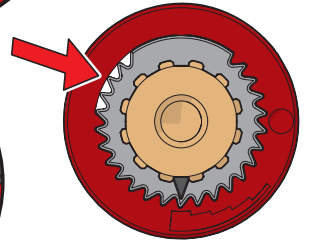
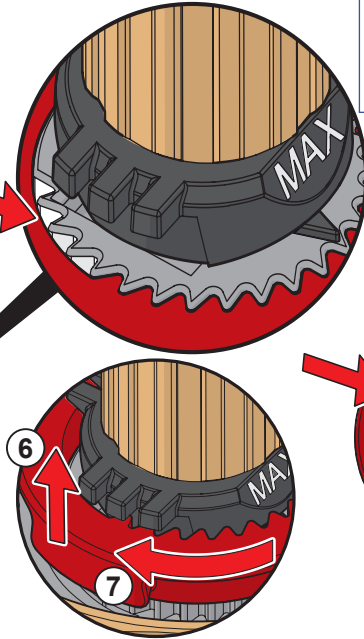
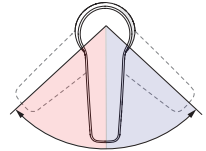
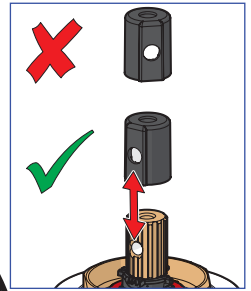
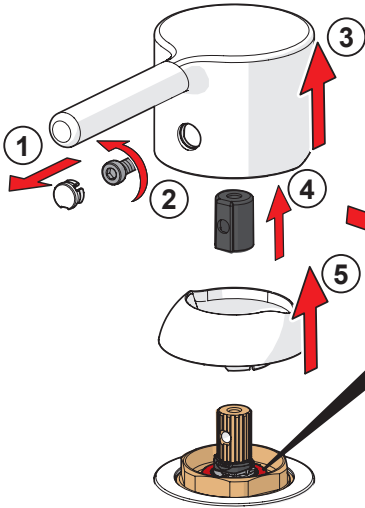


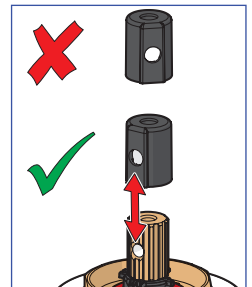
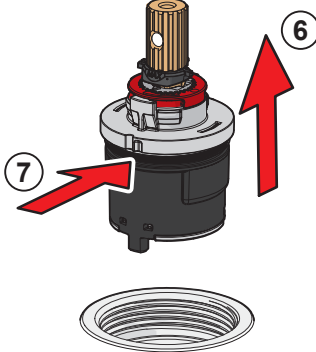
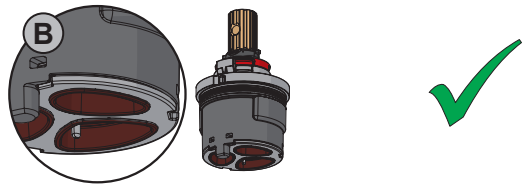
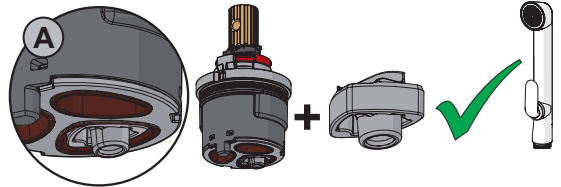
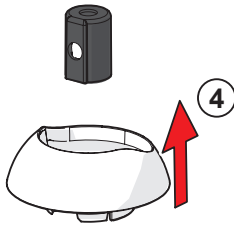
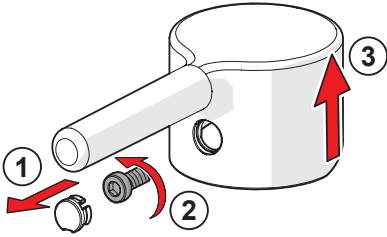
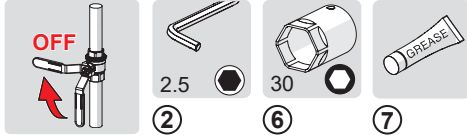
②

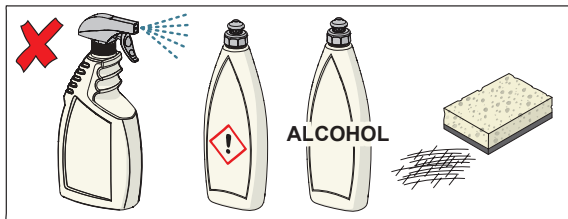
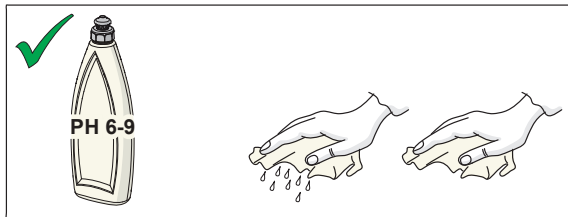
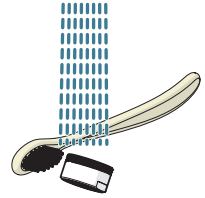




②







[cleaning.hansa.com](http://cleaning.hansa.com)