

Talis M52

Single lever kitchen mixer 170, 1jet

Finish: **Chrome** Article Number: **32851000**



Description

product features

- ComfortZone 170
- swivel range 150°
- normal spray
- connection dimension: DN15
- maximum flow rate at 3 bar: 16 l/min
- ceramic cartridge
- connection type: G 3/8 connections
- temperature limitation adjustable
- suitable for continuous flow water heaters
- P-IX 18307/IB
- DVGW NW-6506BS5027
- ETA VA 1.42/19670
- ETA VA 1.42/19670
- ACS 22 ACC LY 299 France, valide jusqu'au 07.06.2027
- WRAS 1901003
- WRAS 1901003 - WRAS Approval Letter
- JWWA C-501
- KCW-2012-0426_South Korea_WOM
- KCW-2012-0426_South Korea_WOM - KCW-2012-0426_South Korea_WOM_Letter
- Kiwa K6161_Mechanical Mixers EN817
- SVGW 0408-4866
- SINTEF 1744
- FTA_STF_EUFI29-20001674-TH5

Technology



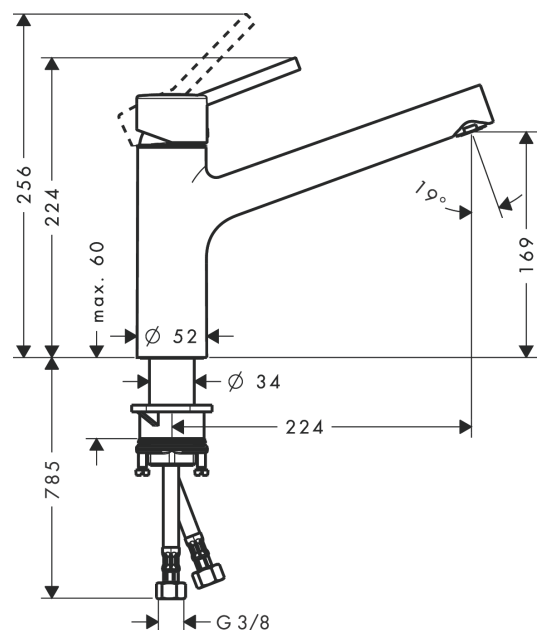
Certificates / Sustainability



Product image



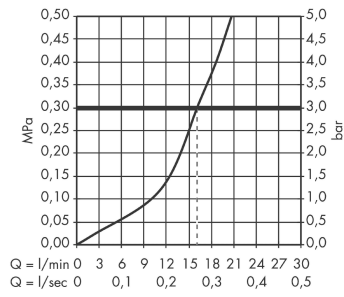
Scale drawing



Talis M52
Single lever kitchen mixer 170, 1jet
 Finish: **Chrome** Article Number: **32851000**



Flowchart

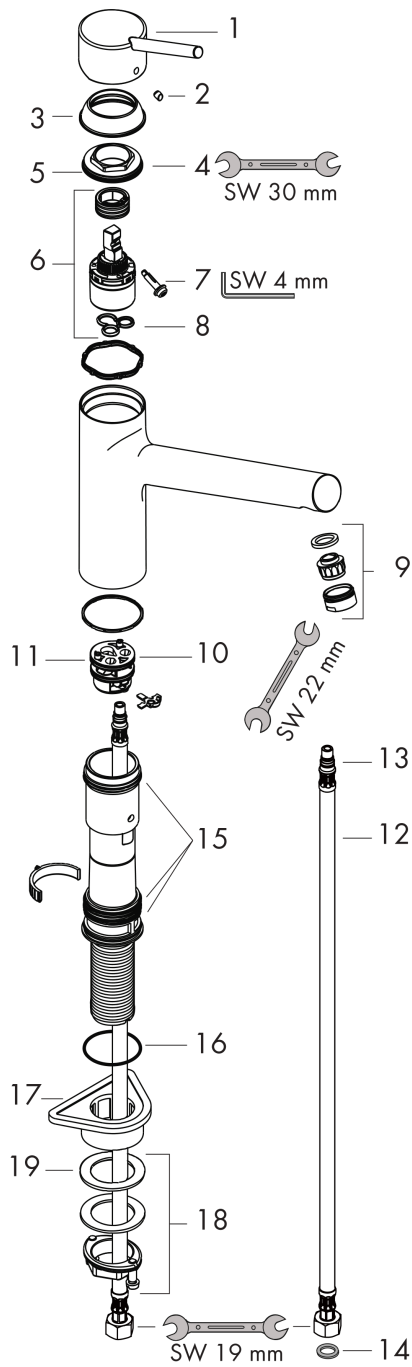


Talis M52
Single lever kitchen mixer 170, 1jet
 Finish: **Chrome** Article Number: **32851000**



Exploded Drawing

Year of production: >10/10



Talis M52

Single lever kitchen mixer 170, 1jet

Finish: **Chrome** Article Number: **32851000**



Spare part list

Year of production: >10/10

Pos.	Description	Article Number	PC	PU
1	handle	32892000	10	1
2	screw cover	96338000	1	1
3	flange	97995000	6	1
4	nut	97996000	8	1
5	O-ring 41x2	98212000	1	1
6	cartridge, assy	92730000	11	1
7	locking screw for handle	95140000	2	1
8	seal	95008000	3	1
9	aerator M24x1 (25 l/min)	95820000	8	1
10	adapter for cartridge	98750000	4	1
11	O-Ring 30x2	98186000	1	1
12	connection hose 900 mm M8x0,75 G3/8	96316000	9	1
13	O-ring 7x1,5	98422000	1	1
14	sealing set	95581000	2	1
15	sealing set	98702000	3	1
16	O-Ring 36x2,5	98190000	1	1
17	support	97523000	2	1
18	fixing set (Ø 34)	95049000	5	1
19	lever collar	97548000	1	1