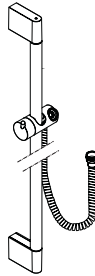


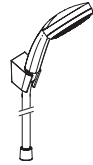
ZH 用户手册 / 组装说明

EN Instructions for use / Assembly instructions

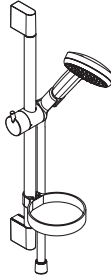
2
3



Unica'Crometta
27615007



**Croma 100 Vario /
Porter S Set 1250
EcoSmart**
27592007



**Croma 100 Vario /
Porter S Set 1600
EcoSmart**
27594007

**Croma 100 Multi /
Porter S Set 1600
EcoSmart**
27595007

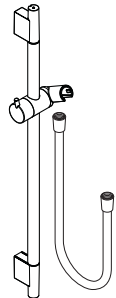
**Croma 100 Vario /
U`C 650 EcoSmart**
27776007



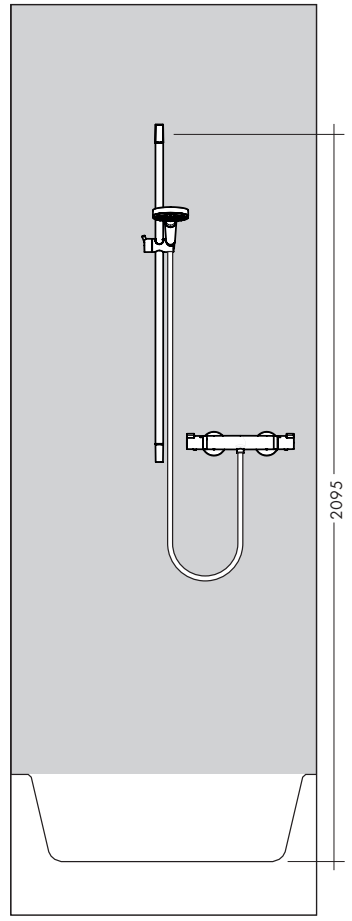
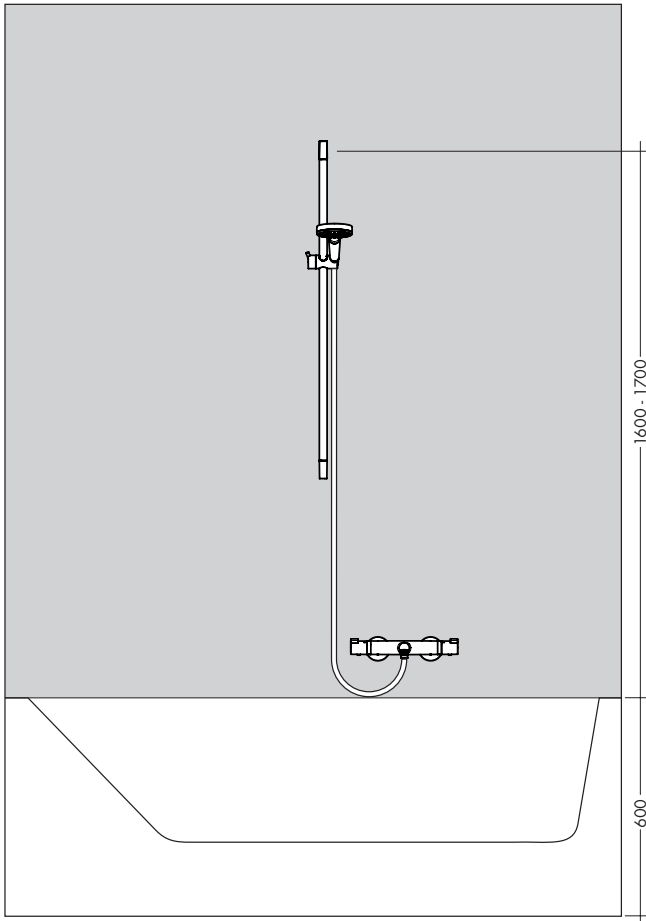
Unica'Croma
26505007
26506007

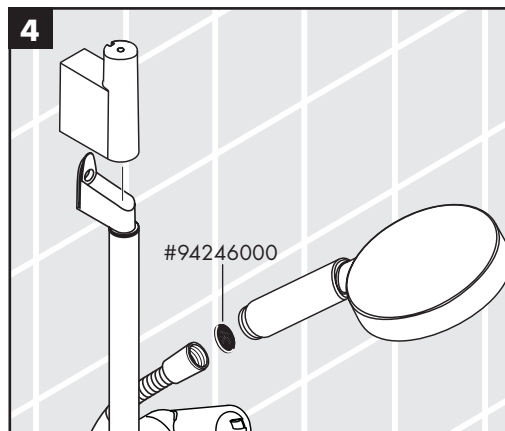
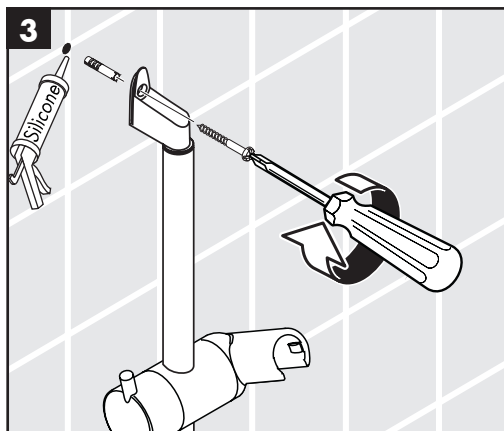
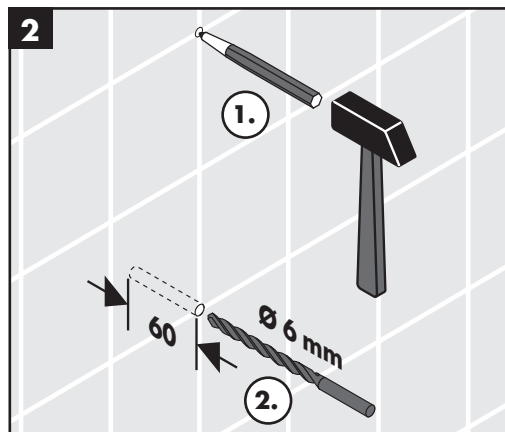
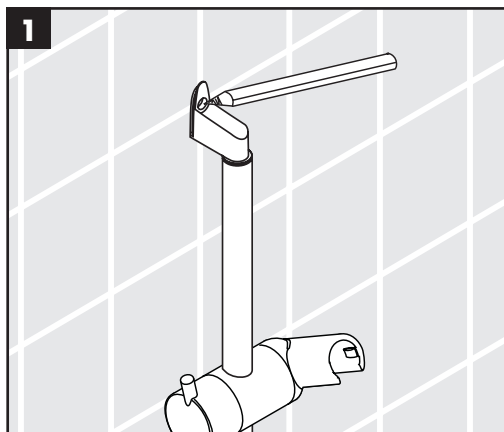
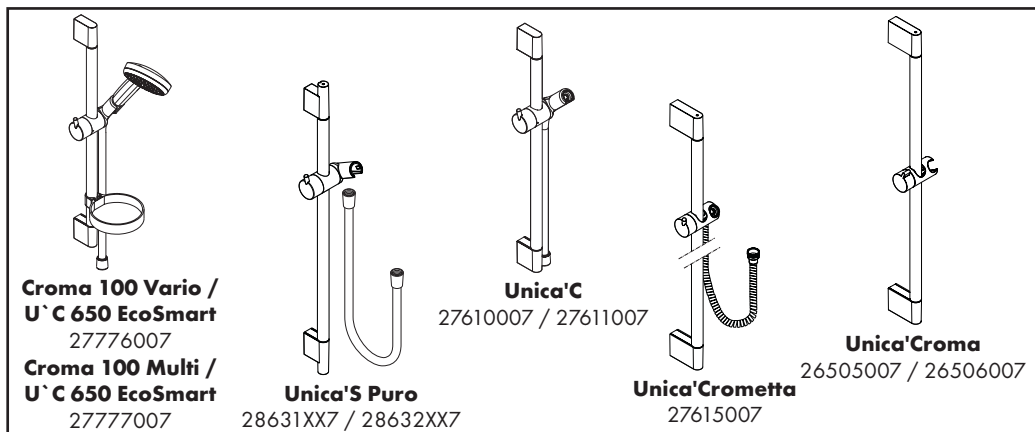


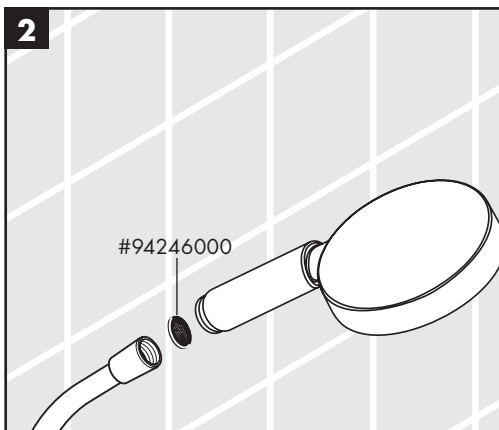
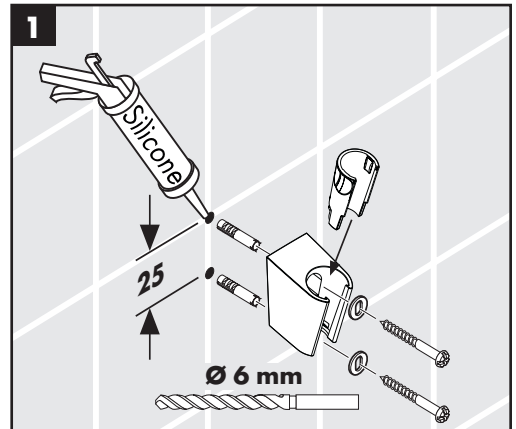
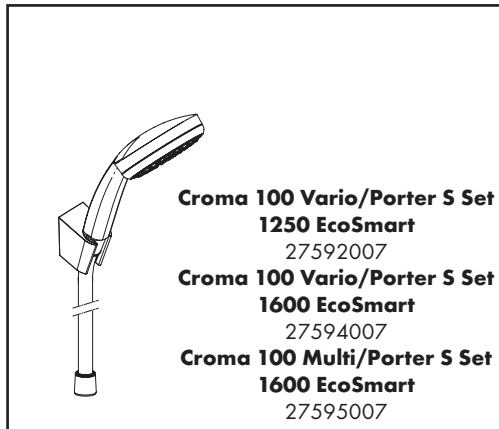
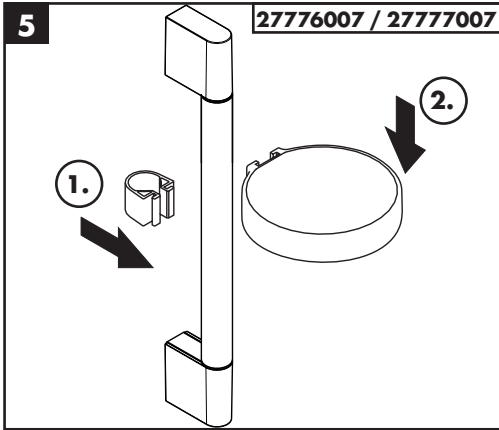
Unica'C
27610007
27611007

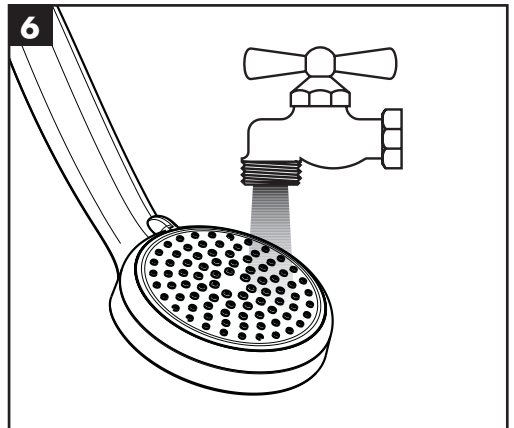
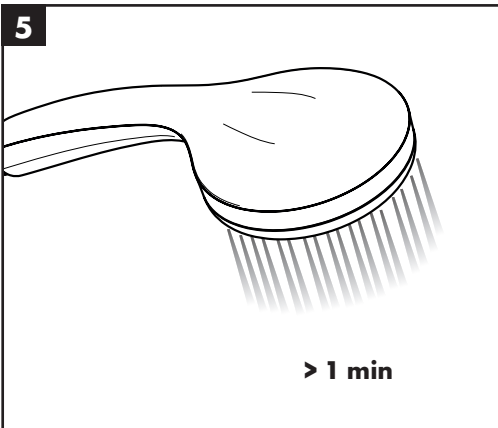
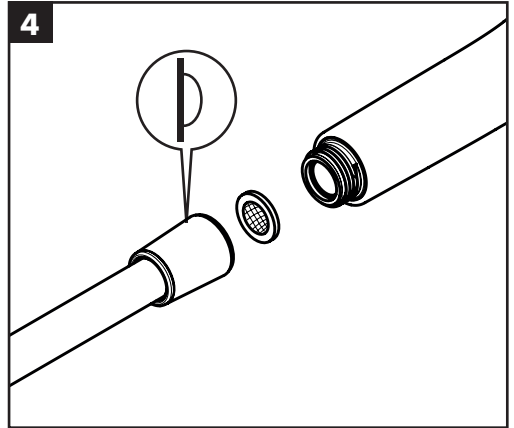
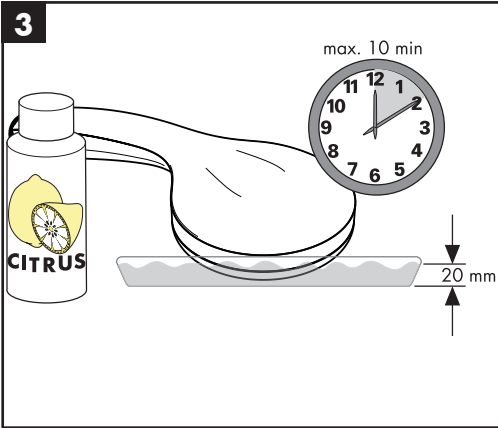
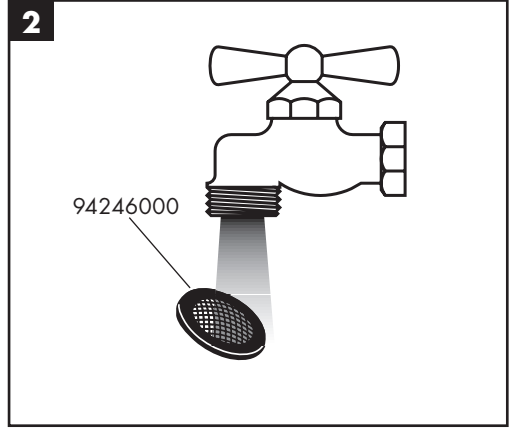
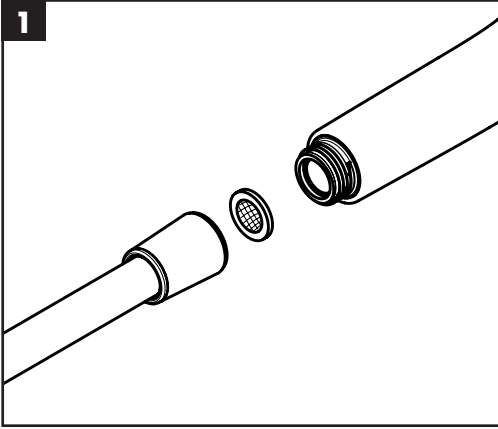


Unica'S Puro
28631XX7
28632XX7



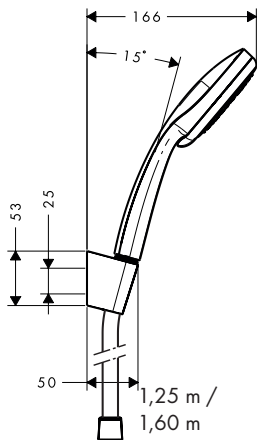




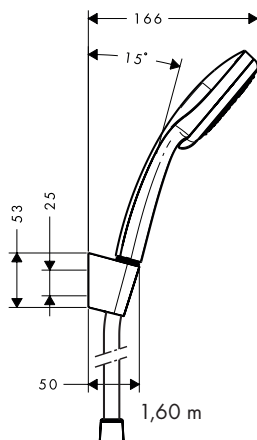




**Croma 100 Vario /
Porter S Set EcoSmart**
27592007 / 27594007

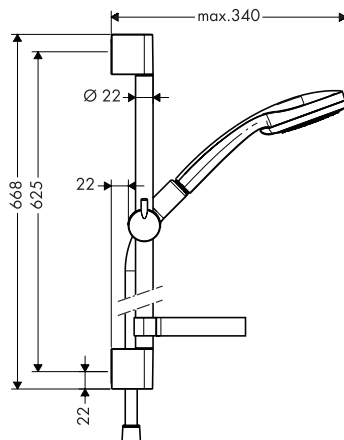


**Croma 100 Multi /
Porter S Set 1600 EcoSmart**
27595007

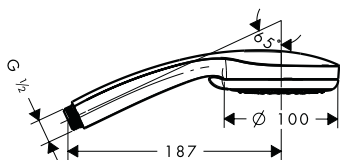
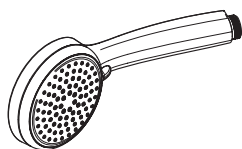


**Croma 100 Vario /
U`C 650 EcoSmart**
27776007

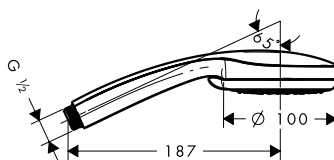
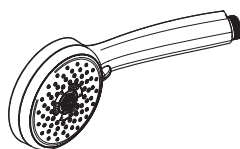
**Croma 100 Multi /
U`C 650 EcoSmart**
27777007



**Croma 100 Vario
EcoSmart**
28537007

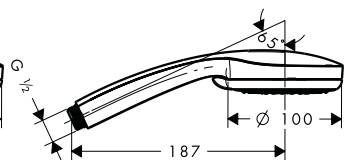
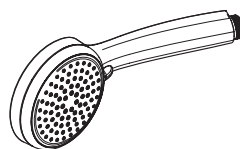


**Croma 100 Multi
EcoSmart**
28538007



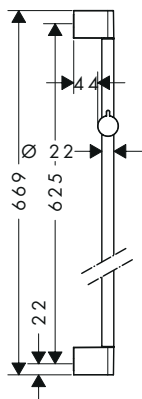
**Croma 100 Vario
EcoSmart**
28537007

**Croma 100 Multi
EcoSmart**
28538007

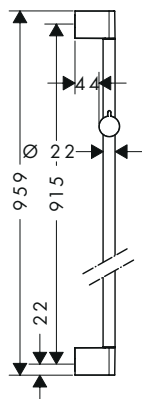




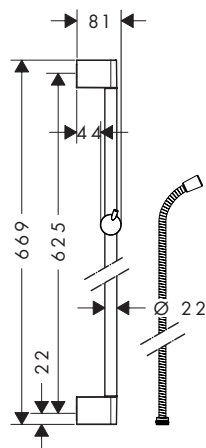
Unica'Croma
26505007



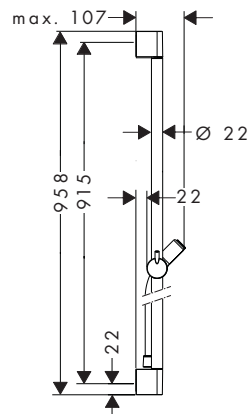
Unica'Croma
26506007



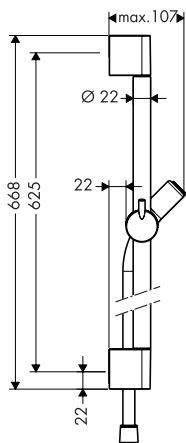
Unica'Crometta
27615007



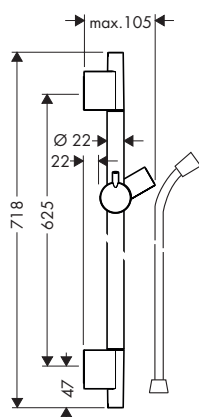
Unica'C
27610007



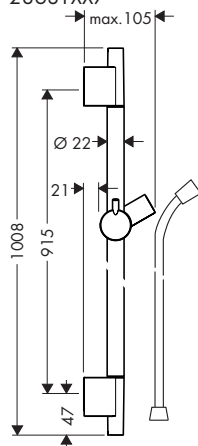
Unica'C
27611007



Unica'S Puro
28632XX7

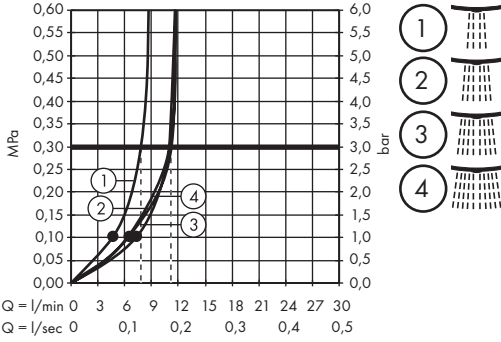


Unica'S Puro
28631XX7

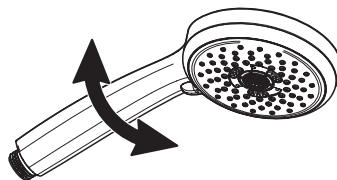
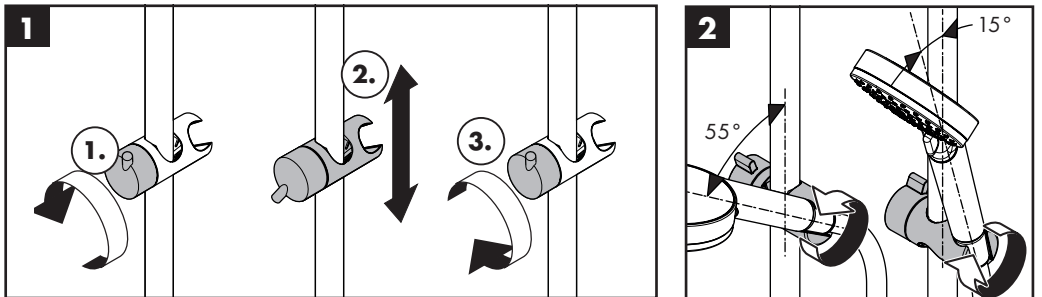
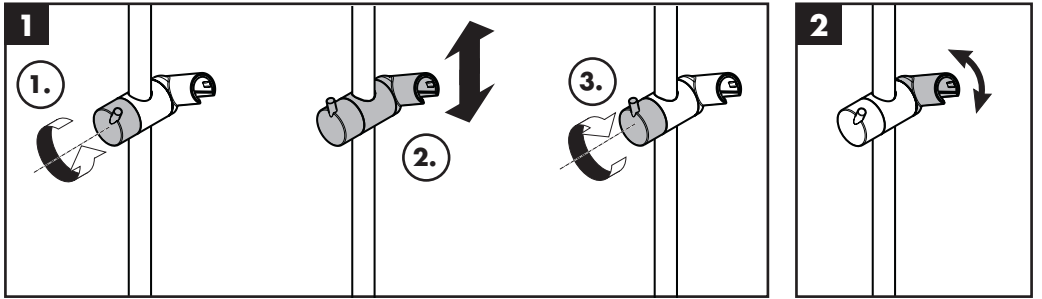
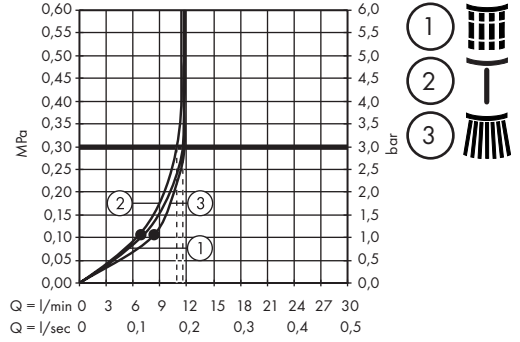




Croma 100 Vario EcoSmart 28537007

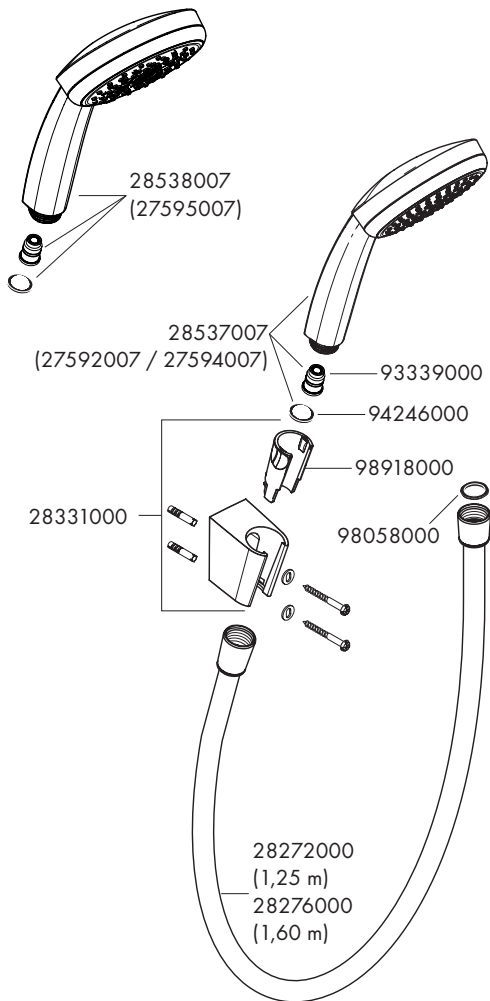


Croma 100 Multi EcoSmart 28538007



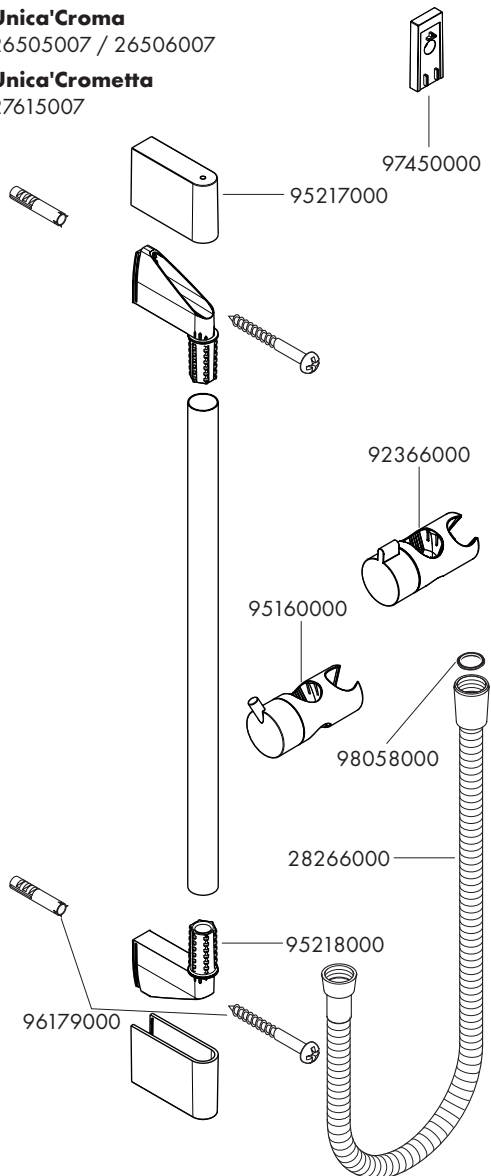
**Croma 100 Vario /
Porter S Set EcoSmart**
27592007 / 27594007

**Croma 100 Multi /
Porter S Set 1600 EcoSmart**
27595007



Unica'Croma
26505007 / 26506007

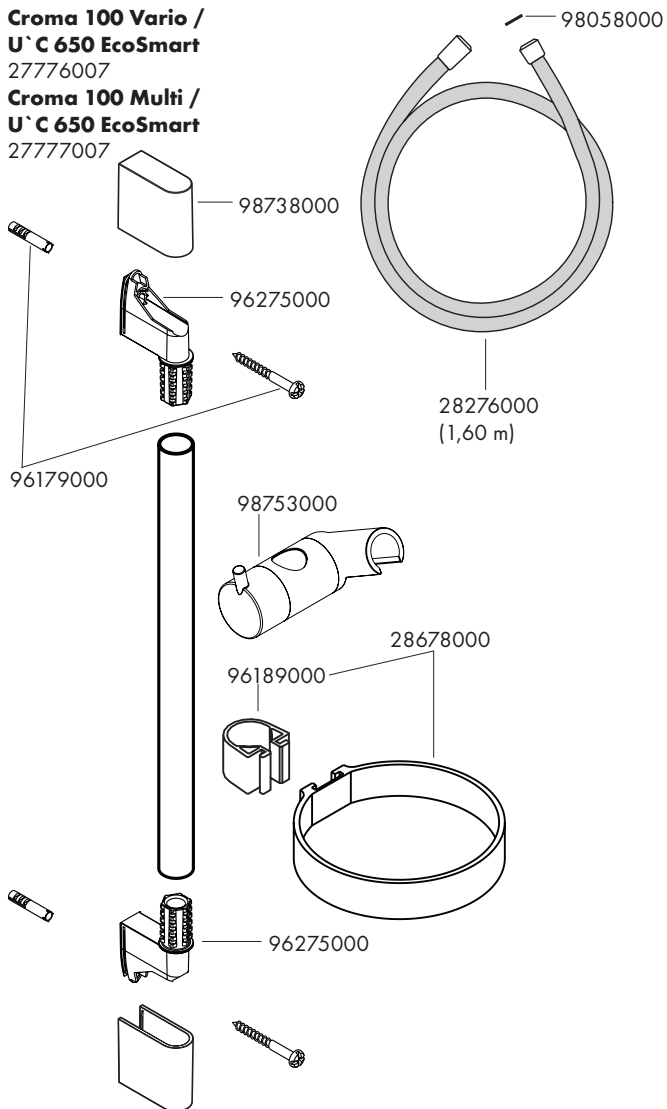
Unica'Crometta
27615007





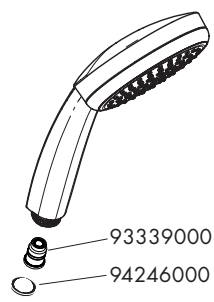
**Croma 100 Vario /
U`C 650 EcoSmart**
27776007

**Croma 100 Multi /
U`C 650 EcoSmart**
27777007

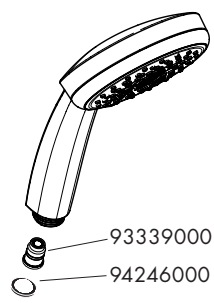


97450000

Croma 100 Vario EcoSmart
28537007



Croma 100 Multi EcoSmart
28538007



hansgrohe

Hansgrohe · Auestraße 5 · 9 · D-77761 Schiltach · Telefon +49 (0) 78 36/51-1282 · Telefax +49 (0) 7836/511440
E-Mail: info@hansgrohe.com · Internet: www.hansgrohe.com

03/2024
9.02402.06 R01